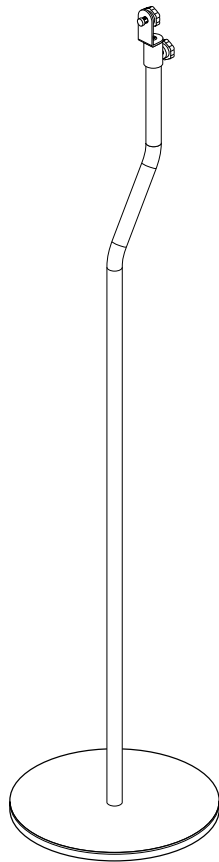


Technical Description and Operating Instructions



**Speaker stand
AC 1001 SP**

Teufel

General notes and information

Proper use

Only use the speaker stand for mounting suitable speakers. You can find a corresponding list on our website www.teufelaudio.com. Any other use will be deemed as not in accordance with the instructions and may lead to damage of property or even persons.

The manufacturer accepts no liability for damage caused by use not in accordance with the instructions. The product is intended for private use.



Before operating the product for the first time, please read the safety notes and operating instructions carefully. This is the only way to use all functions safely and reliably. Keep the operating instructions safe and pass them on to anyone who may own the unit after you.

Notice

The information in this document may change without prior notice and in no way constitutes any liability on the part of Lautsprecher Teufel GmbH. No part of these instructions may be reproduced in any form or be broadcasted in any way electronically, mechanically, by photocopy or recording without the written permission of Lautsprecher Teufel GmbH.

Original packaging

If you wish to exercise your eight-week right of return, we ask that you be absolutely sure to hold onto the packaging. We can only accept the return of a unit WITH THE ORIGINAL PACKAGING. Empty boxes are not available!

Complaints

In case of a complaint we implicitly need your invoice number and the serial or lot number for processing. The serial number is located on the bottom side of the device.

Many thanks for your support!

Contact

For questions, suggestions or any other issues please contact our customer service department:

Lautsprecher Teufel GmbH
Gewerbehof Buelowbogen
Buelowstrasse 66
10783 Berlin (Germany)

Phone 00800 - 200 300 40 (toll-free)

Fax: +49 (0)30 / 300 930 930

E-Mail: service@teufelaudio.com

www.teufelaudio.com

Safety notes

Danger Danger of injury/damage!



Incorrect location may result in damage.

- Place the speakers in such a way that they cannot be knocked over unseen and make sure that the cables do not pose a trip hazard.
- Do not place the speakers near or directly above sources of heat (e.g. heaters, ovens, other heat generating equipment such as amplifiers etc.).
- Avoid direct sunlight at the setup location.

Danger Danger to children!



Children can become trapped in the packing film when playing and suffocate.

- Do not allow children to play with the unit or the packing film. Danger of suffocation.
- Ensure that children do not remove small parts from the unit or take them off of the unit (e.g. control knobs or plug adapters). They could swallow the parts and choke.

Product contents

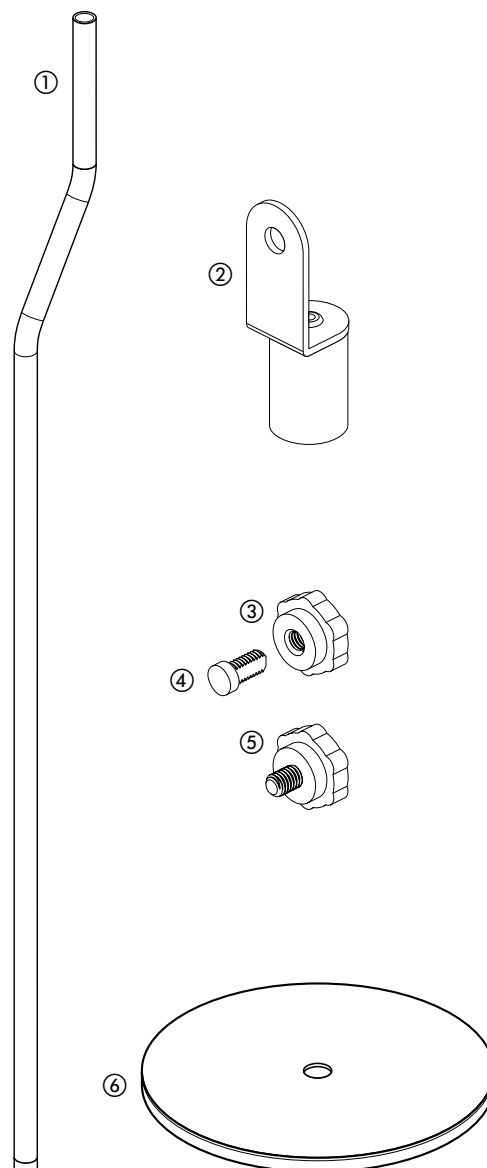
- ① 2 x pipe
- ② 2 x speaker bracket
- ③ 2 x fixing nut
- ④ 2 x holding screw
- ⑤ 4 x fixing screw
- ⑥ 2 x base plate

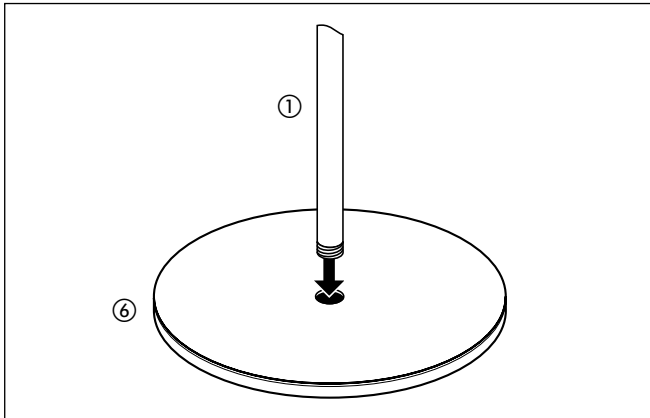
Check that all items have been delivered and that nothing is damaged.

If anything is missing or damaged, please contact our service department (see page 1). Do not use a product if it is damaged.

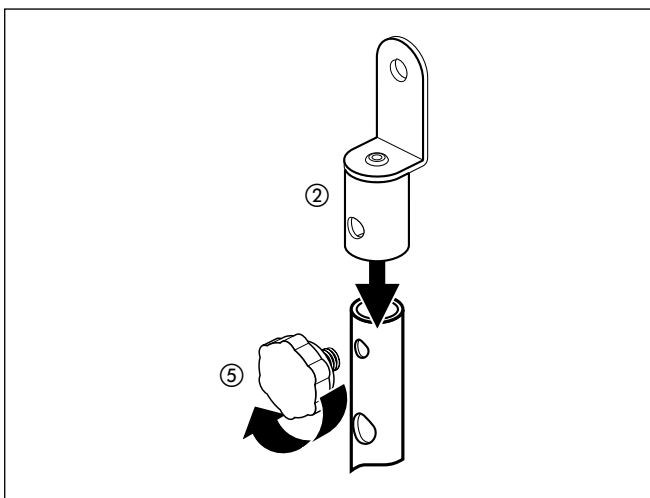
Note:

You can find a current list with all the speakers that are suitable for use with this speaker stand on our website at www.teufelaudio.com.

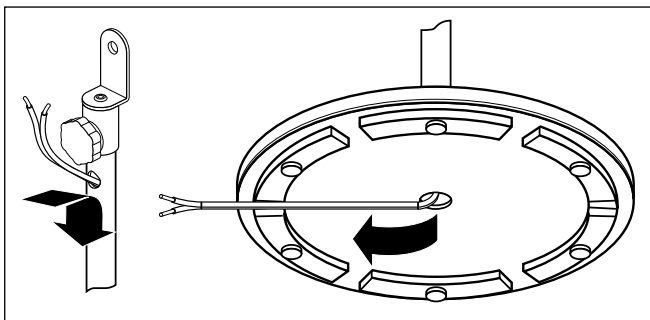




1. Screw the pipe ① into the base plate ⑥.



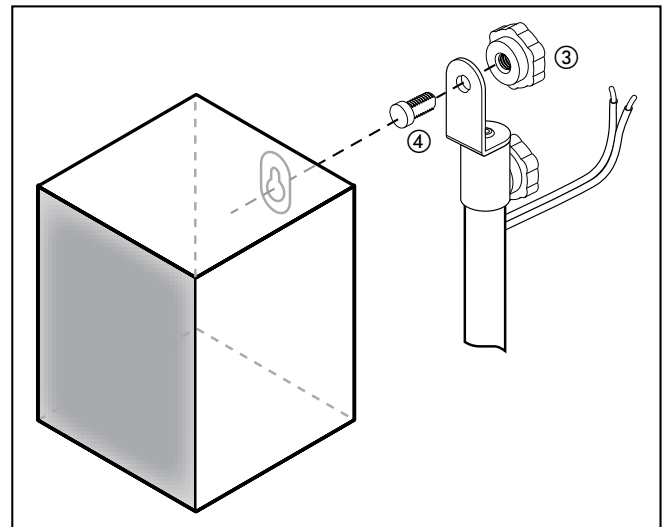
2. Place the speaker bracket ② on the upper end of the pipe and fix it in place with the fixing screw ⑤.



3. Run the speaker cable through the upper hole and through the pipe until it extends somewhat out of the opening in the base plate. Then pull it through until there is sufficient length left for connecting the speaker at the top.

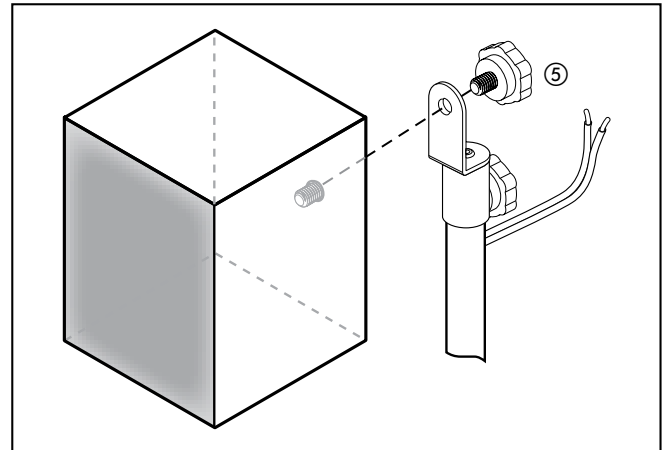
Depending on the construction of your speakers there are 2 possibilities for mounting:

A) For speakers with a key hole opening



1. Insert the holding screw ④ into the speaker bracket from the front and first screw it loosely together with the fixing nut ③.
2. Use the key hole opening to carefully hang the speaker on the holding screw. Then firmly tighten the fixing nut.
3. Connect the speaker cables as described in the operating instructions for the speakers.

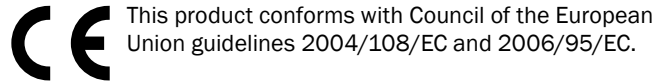
B) For speakers with a threaded insert



1. Screw the speaker onto the speaker stand with the fixing screw ⑤ until secure.
2. Connect the speaker cables as described in the operating instructions for the speakers.

Technical data

Max. carrying capacity:	2 kg
Height:	960 mm
Diameter of base plate:	220 mm



This product conforms with Council of the European Union guidelines 2004/108/EC and 2006/95/EC.

You can obtain further technical data on our website.

Lautsprecher Teufel GmbH

Gewerbehof Buelowbogen – Ausgang D1
Buelowstr. 66, 10783 Berlin (Germany)

www.teufelaudio.com

Phone: 00800-200 300 40
(toll-free)

Fax: +49 (0)30 / 300 930 930

Teufel