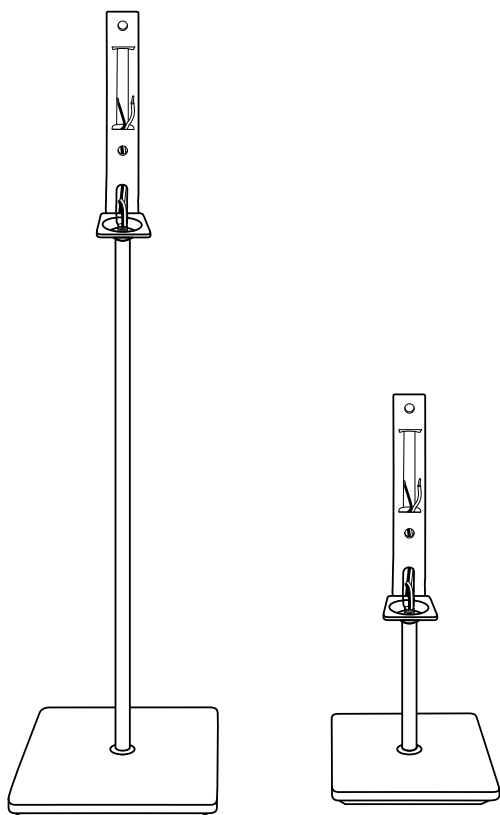


Technical Description and Operating Instructions



**Table / Speaker stand
Varion**

Teufel

General Notes and Information

Proper use

The table / speaker stand only serves as a stand for a Teufel Varion speaker. Mount and use the table / speaker stand only as described in this user manual. Any other use will be deemed as not in accordance with the instructions and may lead to damage of property or even persons. The manufacturer cannot be held liable for damages caused by improper use. The table / speaker stand is intended for private use.



Before you use the table / speaker stand, please first carefully read through the safety notes and the user manual. Only in this way, can you ensure that all functions are used in a safe and reliable manner. Store this user manual in a safe place and also be sure to pass it on to any subsequent owner.

Notice

The information in this document may change without prior notice and in no way constitutes any liability on the part of Lautsprecher Teufel GmbH. Without the written permission of Lautsprecher Teufel GmbH, no part of this user manual may be reproduced in any form or be broadcasted in any way electronically, mechanically, by photocopy or recording.

Original packaging

If you wish to exercise your eight-week right of return, we ask that you be absolutely sure to hold onto the packaging. We can only accept the return of the device WITH THE ORIGINAL PACKAGING. Empty boxes are not available!

Complaints

In case of a complaint, we require your invoice number and the serial or lot number for processing.
Thank you for your support!

Contact

Please contact our customer service with any questions, suggestions or criticism:

Lautsprecher Teufel GmbH

BIKINI Berlin

Budapester Str. 44

10787 Berlin (Germany)

Phone 00800 - 200 300 40 (toll-free)

Fax +49 (0)30 / 300 930 930

E-mail: service@teufelaudio.com

www.teufelaudio.com

Pack Contents and Technical Data

Pack contents

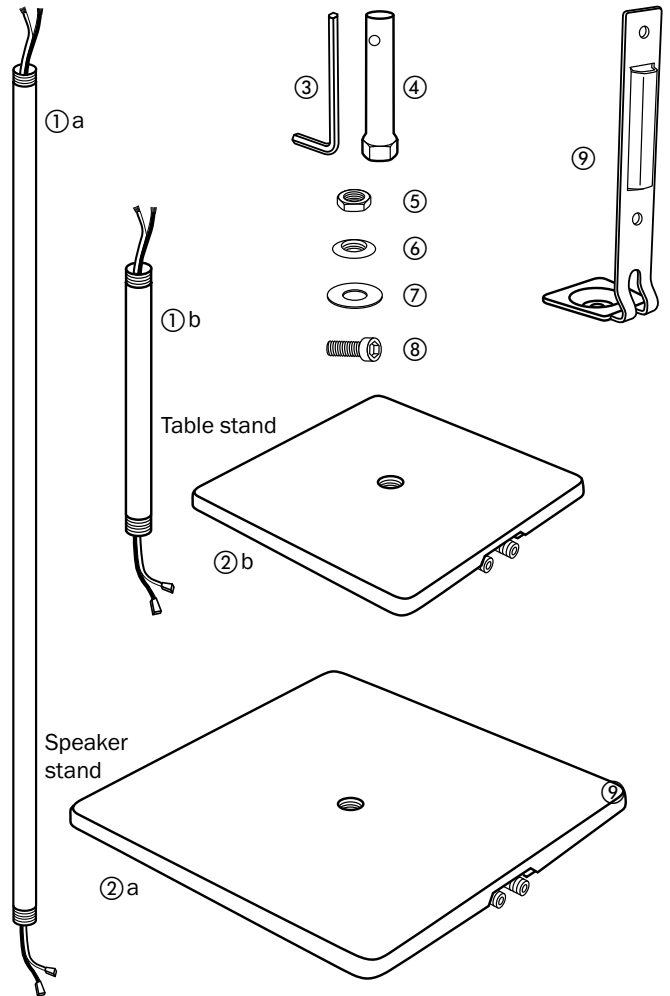
Speaker stand	Table stand
① a 2× Tube with cable	① b 2× Tube with cable
② a 2× Base plate	② b 2× Base plate
③ 1× Allen key	③ 1× Allen key
④ 1× Socket key	④ 1× Socket key
⑤ 4× Nut	⑤ 4× Nut
⑥ 4× Cupped washer	⑥ 4× Cupped washer
⑦ 2× Flat washer	⑦ 2× Flat washer
⑧ 4× Screw	⑧ 4× Screw
⑨ 2× Bracket	⑨ 2× Bracket

Check that all items have been delivered and that nothing is damaged.
Should the delivery be incomplete or exhibit any transport damage, please contact our support service.

Technical data

Speaker stand	Table stand
Dimensions (L×W×H): 18 cm × 18 cm × 92 mm	Dimensions (L×W×H): 15 cm × 15 cm × 35 mm
Weight: 3.3 kg	Weight: 2 kg

Technical changes reserved!
You can find further technical data on our website.



Safety Notes

⚠ WARNING

There is a risk of suffocation if children play with the packaging film or small mounting parts.

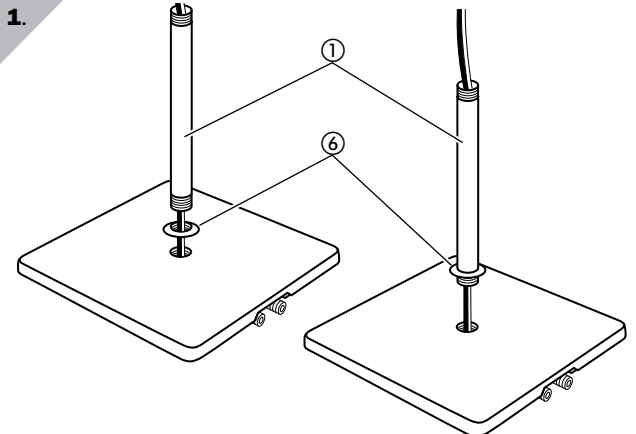
- Do not allow children to play with the packaging film. Children can become trapped in it when playing and suffocate.
- Ensure that children do not take small parts out of the mounting material bag and place them in the mouth. They could swallow the small parts and choke.

⚠ CAUTION

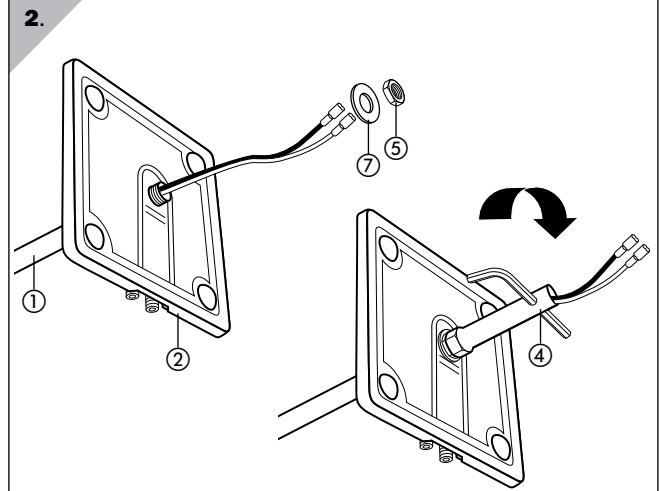
If the speakers are placed in an unsuitable location, this can lead to injury to person and/or property damage.

- Place the speakers in such a way that they cannot be knocked over inadvertently and make sure that the cables do not pose a tripping hazard.

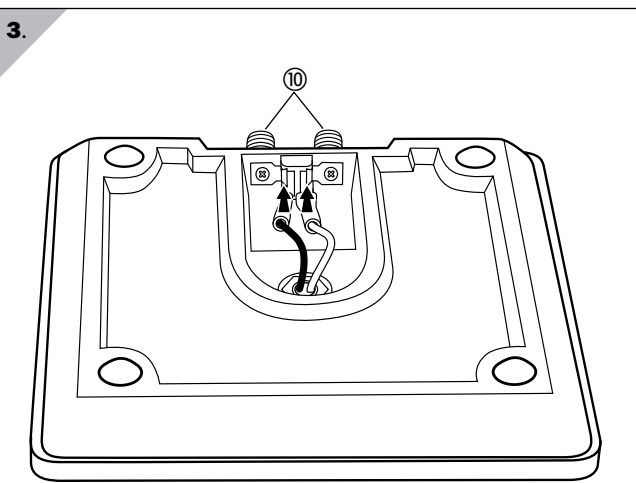
Assembly



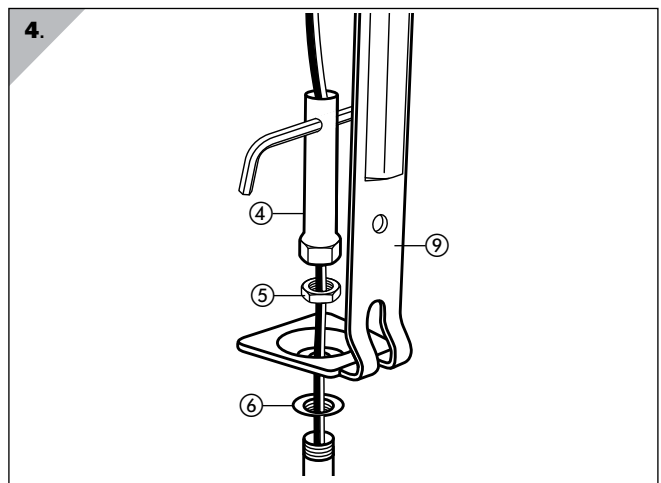
1. Thread the cables with the flat plug sleeves from the top through the cupped washer f and the hole to the underside of the base plate.
Screw the cupped washer f onto the tube threads and insert the tube a through the hole.



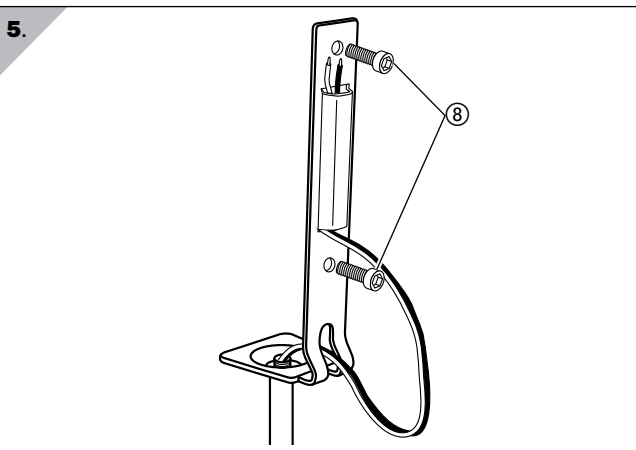
2. Fasten the tube a using the flat washer g and nut e onto the base plate b. Use the socket key d to tighten the nut.



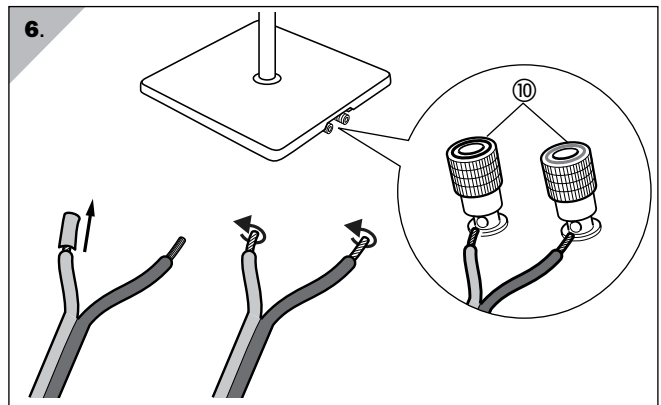
3. Place both flat plug sleeves on the contact tabs of the connector terminal j. Pay attention that the colour of the cable is the same as the terminal contact.



4. Screw a cupped washer f onto the tube threads. Place the bracket i onto the tube and fasten it in place using the nut e. Use the socket key d to tighten the nut.



5. Thread the cable through the openings of the bracket as shown here. Use the screws h to fasten the Varion speakers in place to the bracket and connect the cable as described in the user manual for the Varion speakers.



6. Connect the speaker cable to the connector terminal j as shown here or use pin plugs from our online shop. In any case, make sure the polarity is correct (red to red, black to black). Otherwise the sound quality is affected.

Cleaning and Care

Clean the table / speaker stand regularly with a soft, damp microfibre cloth. Please be absolutely sure to observe the following notes in the process:

- If possible, only use clear water without any cleaning additives. In case of tough spots, a mild soap solution may be used.

NOTICE

Using the wrong cleaning agents may damage the surface.

- *Do not use caustic cleaning products, white spirit, thinners, petrol or similar for cleaning under any circumstances.*

Lautsprecher Teufel GmbH

BIKINI Berlin
Budapester Str. 44
10787 Berlin (Germany)

www.teufelaudio.com

Phone: 00800- 200 300 40 (toll-free)
Fax: +49 (0)30 / 300 930 930

Teufel