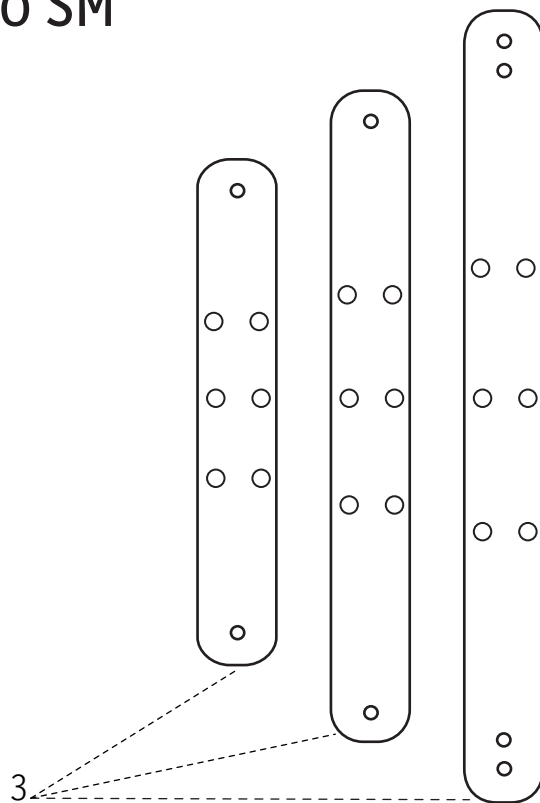


Wall mounting system AC 8500 SM

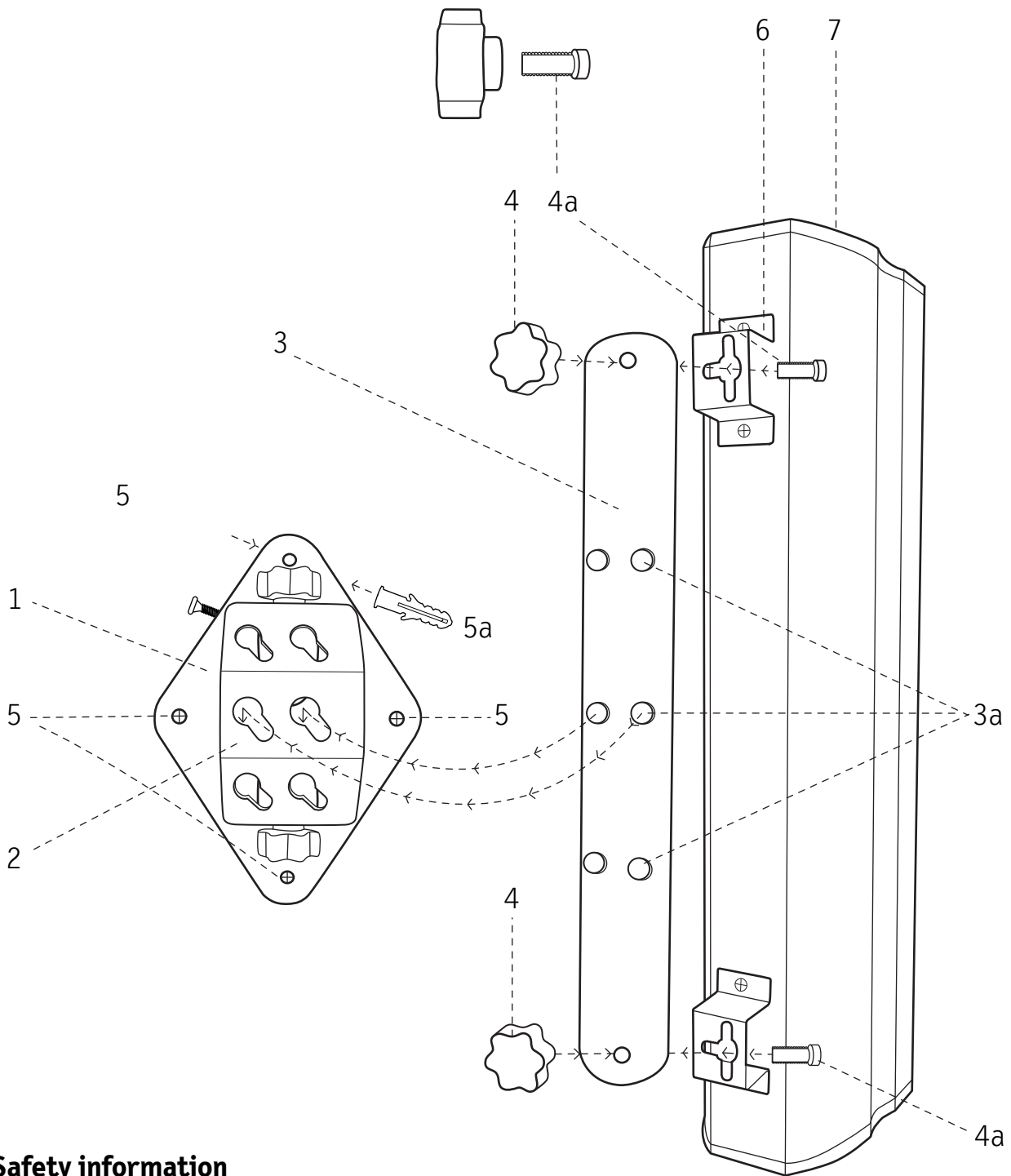
Assembly Instructions

Parts List

- One wall plate (1) with pivoting speaker mount (2)
- Three mounting bars (3) of different lengths
- Two thumb nuts (4) with removable screws (4a)
- Four Phillips-head screws (5) with wall plugs (5a)



1. Using the four wall plugs (5a) and the four screws (5), affix the wall plate (1) vertically or horizontally on the wall in the desired position. Observe the safety instructions!*
- Please follow the drawing exactly: the keyhole openings in the speaker mount (2) that will receive the mounting bar (3) must have the large round end towards the top.
2. Remove the screws (4a) from the thumb nuts (4).
3. Select the mounting bar that best fits the type of speaker you are going to mount. Using the two thumb nuts (4) and screws (4a), attach the mounting bar (3) to the two mounting brackets on the back of the speaker.
4. Choose one of the three pairs of metal knobs (3a) on the back of the mounting bar (3) depending on the desired mounting height. Then choose one of the three pairs of keyhole openings on the pivoting speaker mount (2) depending on the desired mounting angle. Insert the knobs in the holes. Slide the speaker downward slightly to seat the knobs in the keyhole openings.



* Safety information

The weight of the speaker used must be a maximum of 15 kg.

Only mount the wall supports and speakers on walls made of solid wood, stone, concrete or hollow building bricks. For assembly please use the material provided, which is exclusively intended for the materials given above. The manufacturer shall take no responsibility for use other than that for speakers.

Please note that the screws and wall plugs included are not suitable for all walls. Before attempting to mount the wall supports, please check whether e.g. longer screws or cavity wall plugs are necessary.