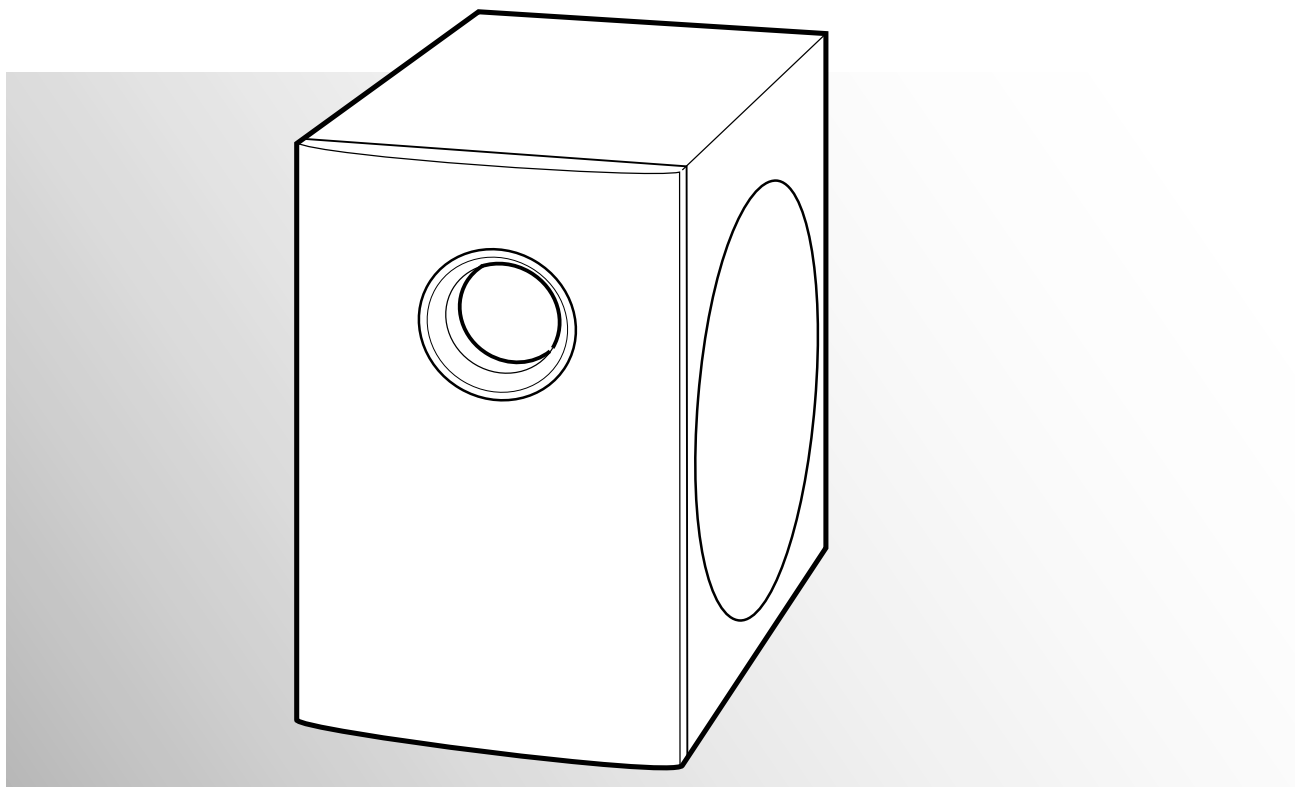


Technical description and operating instructions



T 800 SW

Active subwoofer

Teufel

Contents

| | |
|--|----------|
| General notes and information | 3 |
| Notice 3 | |
| Original packaging..... | 3 |
| Complaints..... | 3 |
| Contact | 3 |
| Proper use..... | 3 |
| Safety notes | 4 |
| Caution icons | 4 |
| Safety notes | 4 |
| Overview | 5 |
| Check to be sure..... | 5 |
| Control elements and connections..... | 5 |
| Connection and operation..... | 6 |
| Connecting to a power supply..... | 6 |
| Activating and deactivating | 6 |
| Automatic activation/deactivation..... | 6 |
| Care and cleaning | 7 |
| Troubleshooting..... | 7 |
| Protecting the environment | 8 |
| Disposal of the unit..... | 8 |
| Technical data | 8 |

General notes and information

Notice

The information in this document may be changed without prior notice and in no way constitutes any liability on the part of Lautsprecher Teufel GmbH.

No part of these instructions may be reproduced in any form or be broadcasted in any way electronically, mechanically, by photocopy or recording without the written permission of Lautsprecher Teufel GmbH.

© Lautsprecher Teufel GmbH
Version 1.0
December 2010

Original packaging

If you wish to exercise your eight-week right of return, we ask that you be absolutely sure to hold onto the packaging. We can only accept the return of the speakers IN THE ORIGINAL PACKAGING. Empty boxes are not available!

Complaints

In case of complaint we will need the following information to process your enquiry:

1. Invoice number

Can be found on the sales slip (enclosed with the product) or on the order confirmation received as a PDF document, e.g. 4322543

2. Serial number or batch number

Located on the back side of the unit,
e.g. serial number: TH04....

Many thanks for your support!

Contact

For questions, suggestions or criticism please contact our customer service department:

Lautsprecher Teufel GmbH
Gewerbehof Buelowbogen
Buelowstrasse 66
10783 Berlin (Germany)

Phone: 00800 - 200 300 400 (free of charge)

Fax: +49 (0)30 - 300 930 930

E-Mail: service@teufelaudio.com

www.teufelaudio.com

Proper use

Only use the unit as described in these instructions. Any other use will be deemed as not in accordance with the instructions and may lead to damage to property or even persons.

The manufacturer accepts no liability for damage caused by use not in accordance with the instructions.

The unit is intended for private use.




Before operating the unit please read the safety notes and operating instructions carefully. This is the only way to use all functions safely and reliably.


Keep the operating instructions safe and pass them on to anyone who may own the unit after you.


Safety notes

Caution icons


You will find the following caution icons used in these instructions:

Danger High risk!
 Failure to observe the warning may result in severe personal injury or death.

Attention Moderate risk!
 Failure to observe the warning may result in property damage.


Minor risk!
 Points which should be observed when handling the unit.

Safety notes

Danger Risk of electric shock!
 Faulty installation of electrical equipment or mains voltage which is too high can cause


electric shocks.

- The device is only suitable for use with a power supply voltage of 220–240 V~/50 Hz.
 - If the unit's case or mains cable is defective or shows other signs of visible damage, disconnect the mains adapter immediately from the socket and do not operate the device.
 - If the unit emits smoke or smells of burning or other unusual odours, disconnect it immediately from the power supply and do not operate it.
 - Never open the unit case. Repairs may only be carried out by an authorised specialist workshop. Only use parts which conform to the original unit specifications. There are electrical and mechanical parts in this unit which are essential in order to avoid exposure to sources of danger.
 - Do not insert any objects through the vent slots in the case.
 - Only use the unit in indoor areas.
 - Do not operate the unit in moist areas and protect it from drops of water or splash water.
Also take care not to stand vases or other containers of liquid on or near the unit in order to avoid liquid getting into the case. If water or other foreign objects should enter the case, disconnect it immediately from the mains power supply and remove any batteries. Send the unit to our service address.
 - Never touch the mains plug with wet hands.
 - Check the unit regularly for damage.
-

Danger Danger to children!
 Children can become trapped in the packing film when playing and suffocate.

- Do not allow children to play with the unit or the packing film. Risk of suffocation.
-


- Ensure that children do not remove small parts from the unit or take them off of the unit (e.g. control knobs or plug adapters). They could swallow the parts and choke.
Never allow children to operate electrical devices unsupervised.

Danger Danger to hearing!
 Loud noise may lead to hearing loss.
The subwoofer may emit high sound pressure levels very unexpectedly when it is triggered into activity by a bass impulse in "Standby/Auto On" mode with the volume set to the maximum value. Besides physical injury this may also have psychological consequences. Children and pets are particularly at risk.

- Set your signal source unit volume control to a low setting.
 - When the volume is set high, always keep a certain distance from the unit and never place your ear directly on the speaker.
 - To avoid damage to health, avoid extended listening at high volume.
-

Danger Danger of injury/damage!
 Incorrect location may result in damage.

- Never use the unit unmounted in vehicles, in unstable locations, on wobbly tripods or furniture, on insufficiently dimensioned brackets etc. The speakers could tip or fall down and cause injury to persons or be damaged.
 - Arrange the speakers so that they cannot be knocked over accidentally and make sure that the cables do not pose a trip hazard.
 - Ensure that any wall mounting is performed in a professional manner.
 - Only use suitable wall brackets for mounting. Check the carrying capacity of the walls.
 - Do not place the unit near sources of heat (e.g. heaters, ovens, other heat generating equipment such as amplifiers etc.)
-

Attention Risk of damage!
 Power overloads due to lightning strike may damage or destroy the unit.

- If the unit is to be left unsupervised for a long period (e.g. during a holiday), or if a thunderstorm is forecast, disconnect it from the mains power supply.

Attention Fire hazard!



Improper use may lead to damage or fire.

- Do not place open flames such as burning candles or similar on the unit.
- Ensure sufficient ventilation.
- Do not place the unit in direct sunlight.
- Do not cover the ventilation slots with curtains, cloths, newspapers or similar. Heat build-up inside the unit can shorten the lifetime of the unit.

Attention Risk of damage!



Power overload due to lightning strike may damage or destroy the unit.

- If the unit is to be left unsupervised for a long period (e.g. during a holiday), or if a thunderstorm is forecast, disconnect it from the mains power supply.

Overview

Product contents

- ① 1 x active subwoofer
- ② 1 x mains cable for subwoofer
- ③ 1 x rubber feet for subwoofer



Connector cables

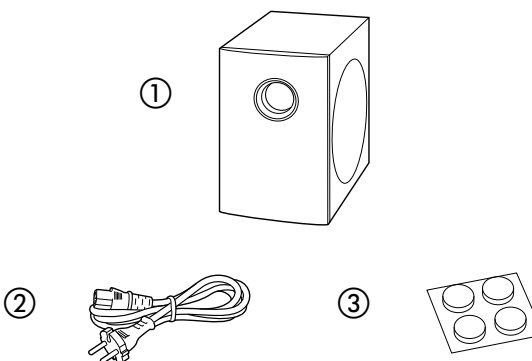
Due to differing customer requirements, the T 800 SW subwoofer is shipped without connector cables. You can find suitable cables in our webshop (www.teufelaudio.com) in the "Accessories" area.

Check to be sure

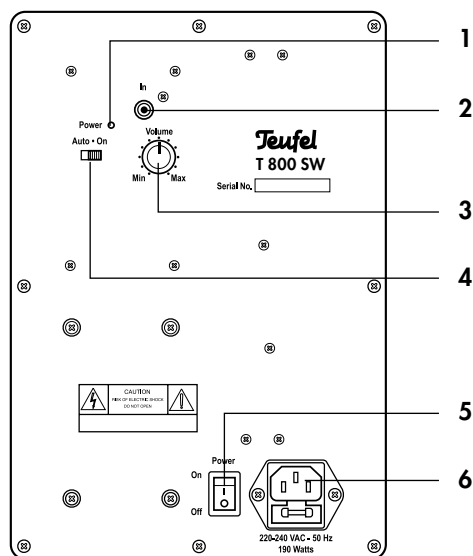
- Check that all items have been delivered and that nothing is damaged.
- If the delivery is incomplete or you find damage sustained in transit, do not operate the unit but contact our service department (see page 3).

Control elements and connections

| Pos | Name | Description |
|-----|--------------|--|
| 1 | Power | Power LED |
| 2 | In | Audio input jack |
| 3 | Volume | Volume control |
| 4 | Auto • On | Automatic activation/deactivation or permanently activated |
| 5 | Power On/Off | Mains switch |
| 6 | | Connector jack for power cord ④ |



Subwoofer back side



Connection and operation

Danger Danger of injury/damage!



Arrange the cables so that they do not pose a trip hazard.

Subwoofer

Pull the mains plug of your AV receiver out of the socket.

Signal connection

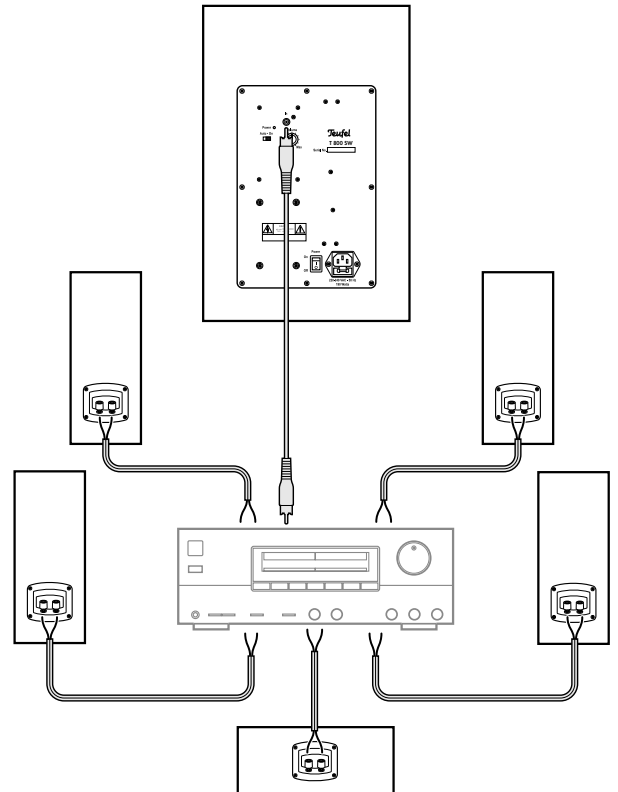
You will need a mono RCA connector cable for the signal connection. With this cable you connect the RCA jack **2** "In" on the back side of the subwoofer with the RCA jack for the subwoofer of your receiver. You will find more information on this in the operating instructions of your receiver.

Connecting to a power supply

- Ensure that the mains switch **5** "Power" is switched off ("0 OFF" position).
- Connect the mains connector jack **6** with a mains socket using the power cord ⑦.
- Also plug the mains plug of your AV receiver back into the socket.

Satellite speakers

- Connect the satellite speakers as described in the corresponding operating instructions.



Activating and deactivating

Activating and deactivating

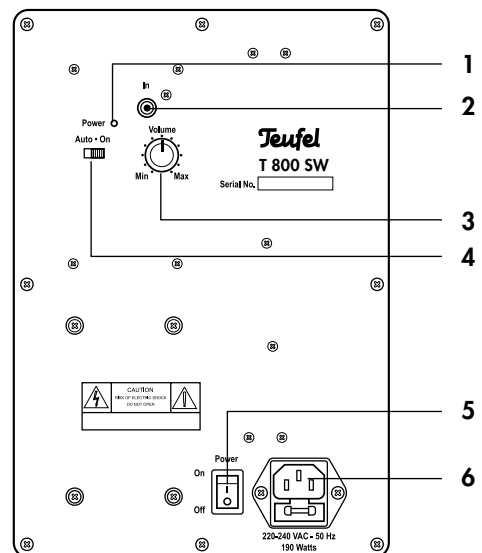
- You can activate or deactivate the subwoofer with the switch **5** "Power". Once the subwoofer has been activated, the power LED **1** "Power" is blue.

Automatic activation/deactivation

- If the switch **4** "Auto • On" is set to "Auto", the subwoofer will activate as soon as an audio signal is present at the input **2**.
If there is no audio signal for 30 minutes, the subwoofer will switch to standby and the power LED **1** "Power" will illuminate in red.
- When set to "On", the subwoofer is always on.

Volume

- Adjust the subwoofer volume with the volume control **3**.



Care and cleaning

Clean the subwoofer regularly with a soft, damp micro-fiber cloth. When doing so, please be absolutely sure to observe the following instructions:

Danger Risk of electric shock!



In contact with live parts, water can lead to electric shock or short circuit.

- Make sure that no liquid penetrates the unit.
- Disconnect the mains plug before cleaning.

Attention Risk of damage!

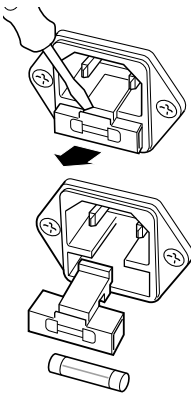


Using the wrong cleaning materials may damage the delicate surface of the case.

- If possible use only plain water without any cleaning products. In case of stubborn marks, a mild soap solution may be used.
- In no circumstances should caustic cleaning products, white spirit, thinners, petrol or similar be used for cleaning.

Troubleshooting

The following instructions should help you to solve problems. If this doesn't work, please contact our hotline (see page 3). Mind the warranty instructions.

| Problem | Possible cause | Solution |
|------------------------------|---|---|
| The subwoofer isn't working. | The subwoofer is off or doesn't have any power. | Activate the subwoofer with the switch 5 . Check the power cord and socket. |
| | Fuse is defective. | Replace the fuse: Disconnect the power cord. Carefully pull out the fuse holder on the mains connector jack 6 . Push the old fuse out to the bottom. If necessary, insert a new fuse (1 A delay-action), close the holder. |
| | |  |
| | The volume has been set too low. | Increase the volume with the control 3 . |
| The subwoofer hums. | The subwoofer is connected to another circuit than the rest of the system. | Connect the subwoofer and AV receiver to the same circuit. |
| | The buzzing is caused by problems with the power supply. | Buy a line filter and connect both devices to it. |
| | The buzzing is caused by a multi-outlet power strip. | Use another multi-outlet power strip or plug the subwoofer directly into the wall socket. It may also help to insert the plug into the socket the other way round. |
| Playback is noisy. | In the high range area, very high-quality high-resolution speaker systems can in most cases expose the poor quality of a signal source (e.g. from MP3 files). | Ensure that the source is sending a clear signal. |
| The sound seems dull. | Speakers have been connected with incorrect polarity. | Make sure all speaker cables are connected properly. |

Protecting the environment

Disposing of the unit



Used units must not be disposed of with household waste

If the unit is no longer operational, every consumer is required by law to dispose of used devices separate from household waste,

e. g. at a collection point run by the communal authority borough. In this way, used devices can be recycled and waste materials disposed of in an environmentally friendly manner.

For this reason, electrical equipment is labelled with the displayed symbol.

Technical data

| | |
|-------------------------|----------------------|
| Construction: | Bassreflex |
| Inputs: | Line input mono |
| Power consumption, max: | 200 W |
| Operating voltage: | 220–240 V~, 50/60 Hz |
| Dimensions (W x H x D): | 260 x 400 x 420 mm |
| Net weight: | 15 kg |

Technical changes reserved!

CE This product conforms to Council of the European Union guidelines 2004/108/EC and 2006/95/EC

Teufel

For questions, suggestions or other issues please contact our customer service department:

Lautsprecher Teufel GmbH
Gewerbehof Buelowbogen - Ausgang D1
10783 Berlin (Germany), Buelowstr. 66

Tel.: 00800 200 300 400 (toll-free)
Fax: +49 (0)30-300 930 930
www.teufelaudio.com

No liability is accepted for the accuracy of this information. Technical changes, typographical errors and other errors reserved.