

Technical description and operating instructions



Concept G 850 THX

5.1 PC/Multimedia speaker set with THX certificate

Teufel

Contents

General notes and information	3	Connecting	9
Safety notes	4	Subwoofer	9
Caution icons	4	Speakers	9
Safety notes	4	Connecting to a power supply	9
Overview	5	Use	10
Control elements and connections	6	Configuring the speakers	10
Setting up the speakers	7	"Front" and "Rear" switch	10
Mounting the spikes	7	"Sub In" switch	10
Mounting the table stands	7	Subwoofer settings	10
Setup location	7	Care and cleaning	10
Setup: PC system	7	Troubleshooting	11
Setup: Home cinema system	8	Protecting the environment	12
Wall mounting	8	Technical data	12

General notes and information

Notice

The information in this document may change without prior notice and in no way constitutes any liability on the part of Lautsprecher Teufel GmbH.

No part of these instructions may be reproduced in any form or be broadcasted in any way electronically, mechanically, by photocopy or recording without the written permission of Lautsprecher Teufel GmbH.

© Lautsprecher Teufel GmbH
Version 1.0
July 2012

Trademarks



THX®

Certified Multimedia

THX is a trademark of THX Ltd. which is registered in some jurisdictions. All rights reserved.

Original packaging

If you wish to exercise your eight-week right of return, we ask that you be absolutely sure to hold onto the packaging. We can only accept the return of a device WITH THE ORIGINAL PACKAGING. Empty boxes are not available!

Complaints

In case of complaint we will need the following information to process your enquiry:

1. Invoice Number

Can be found on the sales slip (enclosed with the product) or on the order confirmation received as a PDF document, e.g. 4322543.

2. Serial number or batch number

Located on the back side of the unit, e.g. serial #: IL30009440122A-123

Many thanks for your support!

Contact

For questions, suggestions or criticism please contact our customer service department:

Phone: 00800 - 200 300 400 (free of charge)

Fax: +49 (0)30 - 300 930 930

E-mail: service@teufelaudio.com

www.teufelaudio.com

Proper use

The speaker set is designed for playback of audio signals. Only use the product as described in these operating instructions. Any other use will be deemed as not in accordance with the instructions and may lead to damage to property or even persons.

The manufacturer accepts no liability for damage caused by use not in accordance with the instructions.

The unit is intended for private use.



Before you operate the unit for the first time, please first carefully read through the safety notes and operating instructions. This is the only way to use all functions safely and reliably. Keep the operating instructions safe and pass them on to anyone who may own the unit after you.

Safety notes

Caution icons

You will find the following caution icons used in these instructions:



Danger High risk!

Failure to observe the warning may result in severe personal injury or death.



Attention Moderate risk!

Failure to observe the warning may result in property damage.



Minor risk!

Points which should be observed when handling the unit.

Safety notes



Danger Risk of electric shock!

Faulty installation of electrical equipment or mains voltage which is too high can cause electric shocks.

- The device is suitable for use with a power supply voltage of 100–240 V~ / 50/60 Hz.
- If the unit's case or the power supply cable is defective or shows other signs of visible damage, immediately disconnect the mains plug and do not operate the unit.
- If the unit emits smoke or smells of burning or other unusual odours, disconnect it immediately from the power supply and do not operate it.
- The standby button does not disconnect the unit from the power supply. Set up the device so that the power plug is easily accessible and the vents are unobstructed.
- Never open the device casing.
Repairs may only be carried out by an authorised specialist workshop. In the process, only parts may be used, which correspond to the original device specifications. This device contains electrical and mechanical parts that are imperative for providing protection against sources of danger.
- Only use the accessory products expressly specified by the manufacturer.
- Do not insert any objects through the vent slots in the case.
- Only use the unit in indoor areas.
- Do not operate the unit in moist areas and protect it from drops of water or splash water.
Also take care not to stand vases or other containers filled with liquid on or near the speaker in order to avoid liquid getting into the case. If water or other debris do penetrate the case, immediately disconnect the mains adapter and if applicable, remove any batteries present. Send the unit to our service address afterwards.
- Never touch the mains plug with damp hands.
- Check the unit regularly for damage.

Danger



Danger to children!

Children can become trapped in the packing film when playing and suffocate.

- Do not allow children to play with the unit or the packing film. Danger of suffocation.
- Ensure that children do not remove small parts from the unit or take them off of the unit (e.g. remote control batteries, control knobs or plug adapters). They could swallow the parts and choke.
- Never allow children to operate electrical devices unsupervised.

Danger



Risk of injury!

An unstable base may cause the unit to tip over and severely injure or even kill children in particular. You can avoid a large number of accidents if you take the following precautionary measures:

- Only use underframes or speaker stands recommended by the manufacturer.
- Only place the unit on furniture capable of carrying the load.
- Make sure that the unit is completely situated on the piece of furniture and that it does not hang over the edge.
- Warn your children of the dangers associated with climbing up on the piece of furniture in order to reach the device.
- When storing the device, make sure that the previously described points are complied with.



Danger to hearing!

Loud noise may lead to hearing loss.

Particularly if the subwoofer is activated and set to full volume, it may emit very high sound pressure levels unexpectedly. This may have psychological consequences and also cause physical injury. Children and pets are particularly at risk.

- Set your signal source unit volume control to a low setting.
- When the volume is set high, always keep a certain distance from the unit and never place your ear directly on the speaker.
- To avoid damage to health, avoid extended listening at high volume.

Danger Danger of injury/damage!



Incorrect location may result in damage.

- Never use the unit unmounted in vehicles, in unstable locations, on wobbly tripods or furniture, on insufficiently dimensioned brackets etc. The device could tip or fall down and cause injury to persons or be damaged itself.
- Arrange the speakers so that they cannot be knocked over accidentally and make sure that the cables do not pose a trip hazard.
- Ensure that any wall mounting is performed in a professional manner.
- Only use suitable wall brackets for mounting. Verify the carrying capacity of the walls.
- Do not place the speakers near sources of heat (e.g. heaters, ovens, other heat generating equipment such as amplifiers etc.).

Attention Fire hazard!



Improper use may lead to damage or fire.

- Do not place open flames such as burning candles or similar on the unit.
- Do not place the unit in direct sunlight.
- Ensure sufficient ventilation.
- Do not cover the ventilation slots with curtains, cloths, newspapers or similar. Heat build-up inside the unit can shorten its lifetime.

Attention Risk of damage!



Outside influences may damage or destroy the unit.

- If the unit is to be left unsupervised for a long period (e.g. during a holiday), or if a thunderstorm is forecast, disconnect the mains plug from the socket. Otherwise, sudden overvoltages could cause a defect.

Overview

Product contents

- ① 1 x active subwoofer
- ② 5 x satellite speakers
- ③ 1 x power cord for the subwoofer
- ④ 4 x spikes for the subwoofer
- ⑤ 5 x table stands for the satellite speakers
- ⑥ 5 x toggle screws for the table stands ⑤
- ⑦ 5 x 4 rubber feet for the table stands ⑤

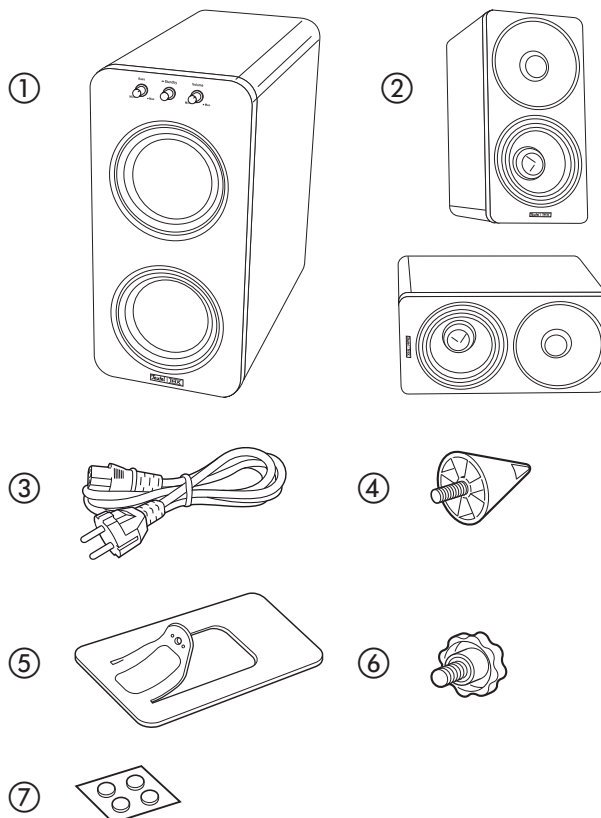


Connector cables

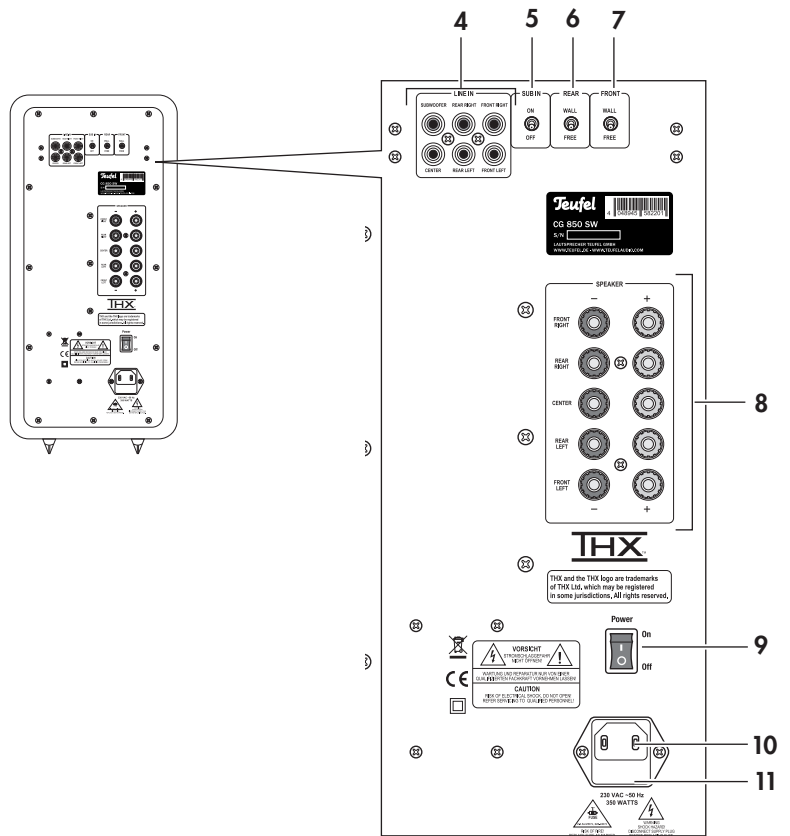
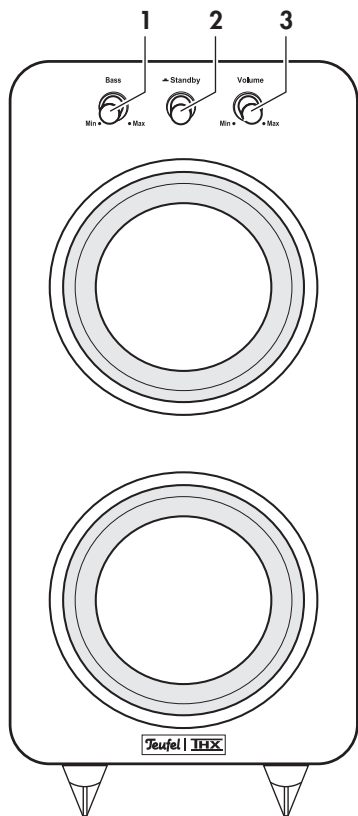
The Concept G 850 THX is delivered without connector cables due to the variety of different customer needs. You can find suitable cables in our webshop (www.teufelaudio.com)

Check to be sure

- Check that all items have been delivered and that nothing is damaged.
- If the delivery is incomplete or you find damage sustained in transit, do not operate the unit; instead contact our service department (see page 3).

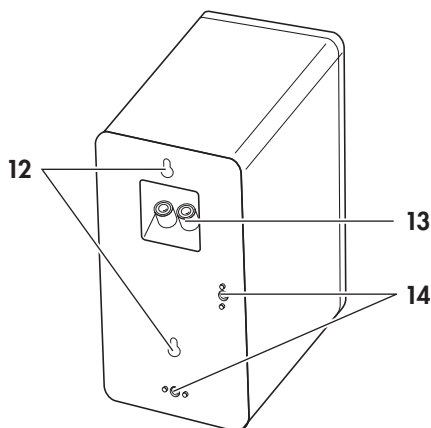


Control elements and connections



Pos	Name	Description
1	Bass	Subwoofer volume control
2	Standby	On/Standby switch
3	Volume	Volume control
4	Line In	5.1 input jacks (e.g. from a sound card, a DVD player or a decoder station)
5	Sub In	Activate/deactivate subwoofer mode
6	Rear	EQ switch for rear speakers (Wall = wall hung, Free = free-standing)

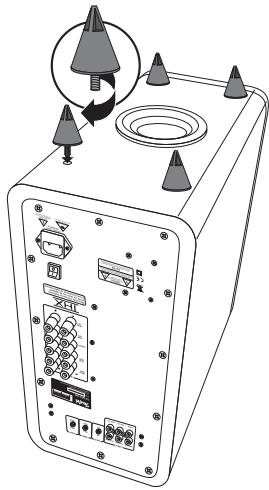
Pos	Name	Description
7	Front	EQ switch for front speakers (Wall = wall hung, Free = free-standing)
8	Speaker	Speaker output jacks
9	Power On/Off	Mains switch
10	-	Connector jack for power cord ③
11	-	Fuse holder



Pos	Name	Description
12	-	Keyhole openings for wall mounting
13	-	Connector terminals
14	-	Thread inserts for mounting the table stands

Setting up the speakers

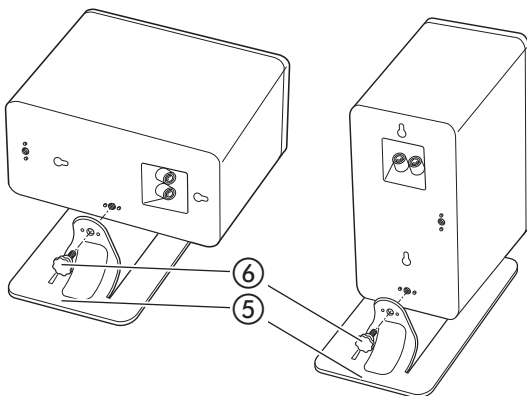
Mounting the spikes



Screw the four spikes ④ into the four threaded holes on the base of the subwoofer. These spikes ensure that the unit is stable, minimise vibrations on the floor and provide enough room for the subwoofer's resonance opening. The subwoofer may not be operated without spikes.

Mounting the table stand

You can mount the satellite speakers upright with the enclosed table stands or set them up on their side:



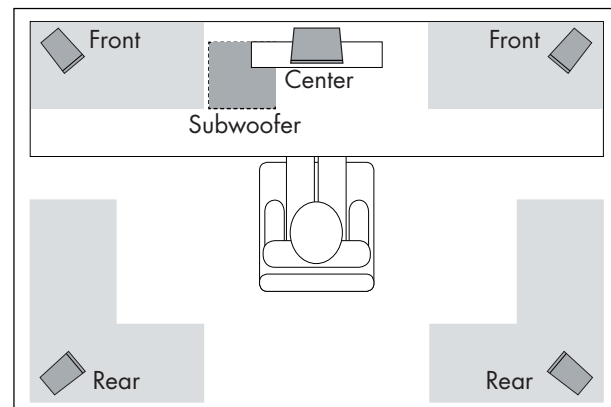
Screw-tighten the table stands ⑤ into the desired position with the knurled screws ⑥ (see figure). Adhere four of the rubber feet ⑦ to each table stand to avoid vibrations.

Setup location

- Select a stable, level base or a suitable wall.
- Make sure that the environment is clean and free from dust.
- Avoid placing the unit close to sources of heat or in direct sunlight.
- Arrange the connector cables so that they do not pose a trip hazard.
- Do not place any heavy objects on the cables or the speakers.

Setup: PC system

When using the unit as a PC sound system, concentrating on emitting sound directly at the PC workstation is advisable, that is, the area where the monitor and listener are located.



Please position the speakers within the grey areas.

Center speakers

- Place the center speaker in the most central location under/over/on the monitor.

Front speakers

- The front speakers are set up to the right and left of the monitor or hung at a height of approx. 80 to 160 cm.
- They should be in line with the center speaker and form an equilateral triangle with the listener if possible.
- The speakers should project sound directly into the room or slightly towards the listener.

Rear speakers

- The rear speakers should be placed to the side or behind the listener, ideally at the same height as the listener or higher (no more than 2.10 metres). Setting them up any lower is not recommended.

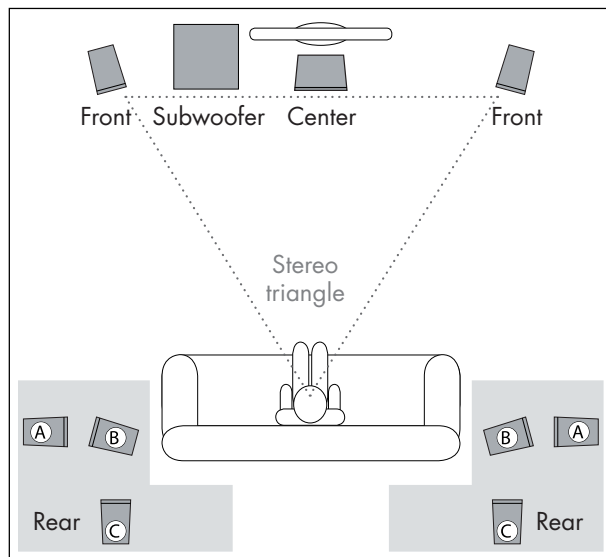
Subwoofer

- The location of the subwoofer can be freely selected and does not influence the other speakers. A location between the front speakers is often ideal. Operating the subwoofer in the corner of a room is not advisable.

Setup: Home cinema system

The following data concern an "ideal home cinema", in which the viewer or listener sits in a central position at a sufficient distance in front of the television or screen (see the adjacent graphic) and no objects (tables or the like) are located in between. Unfortunately, the room, furnishings or one's partner do not always allow for optimum arrangement.

Modern software in playback devices offers a variety of possibilities for electronically compensating losses associated with the arrangement. The following general rule applies: You can always experiment on what works best in your listening room in terms of sound and appearance based on our recommendations. Let your ears (and eyes) be the judge!



Please position the speakers within the grey areas.

Center speakers

- Place the center speaker in a central position under or over the screen.

Front speakers

- The front speakers are set up to the right and left of the screen or hung at a height of approx. 80 to 160 cm.
- They should be in line with the center speaker and form an equilateral triangle with the listener – the so-called stereo triangle (distance from the listener = distance between the speakers).
- The speakers should project sound directly into the room or slightly towards the listener.

Rear speakers

- The rear speakers are set up or wall mounted to the side or behind the listener at a height of 1.20 m to 2.10 m.
- The ideal position is to the left or right, approx. 20 degrees from being parallel with the listener (A). It is recommended that the distance from the rear speakers to the listener exceeds 1 m. If you (have to) sit any closer, make sure that the front side of the box does not emit noise in your immediate direction and that, by angling the speaker, it is pointed more towards the wall (B). Or increase the distance by setting up the speakers at a height of more than 1.20 metres (e.g. on the ceiling) or further away (C).

Subwoofer

- The location of the subwoofer can be freely selected and does not influence the other speakers. A location between the front speakers is often ideal. Operating the subwoofer in the corner of a room is not advisable.

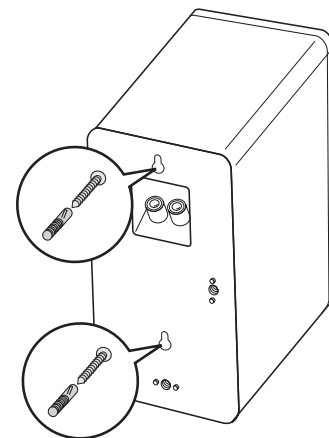
Wall mounting

Danger Risk of damage!



Improper mounting may result in damages.

- Ensure that any wall mounting is performed in a professional manner.
- Before drilling any holes, use a metal detector to check that no lines are located in the area to be drilled.
- Only use suitable screws and dowels to mount the speakers. Verify the carrying capacity of the walls.



- Hang the satellite speakers onto the wall using the keyhole openings in the back of the speakers and the previously mounted screws.

Connecting

Danger

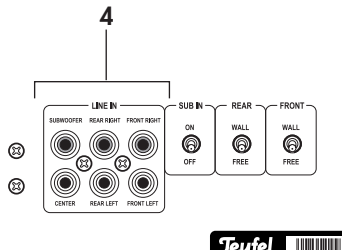
Danger of injury/damage!



Arrange the cables so that they do not pose a trip hazard.

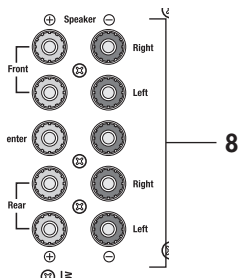
- Pull the power plug of all devices to be connected out of the socket to prevent accidental activation.

Subwoofer

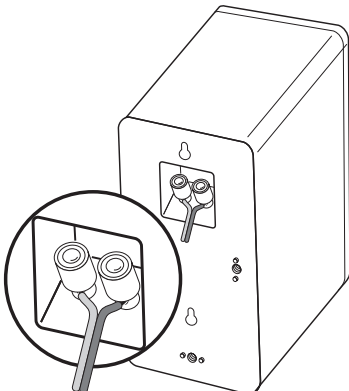


- Connect the line-in jacks (4) of the subwoofer with the 5.1 output jacks of the sound card, the decoder station or the DVD player using 6 high-quality RCA cables.

Speakers



- Lay the speaker cable from the subwoofer to each speaker. These cables should be high-quality double-wire speaker cable with marked strands. A small tip: Label the cables on the subwoofer side. This will help when taking down and setting up the system.

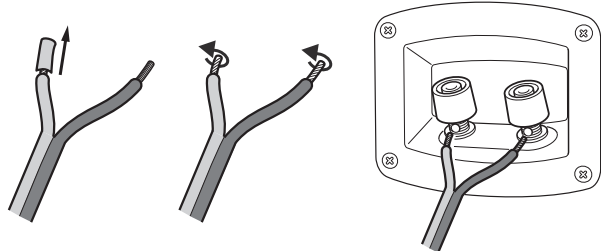


- A terminal with a red and black connector clip is located on the back side of each speaker. Here you can connect the speaker cables directly or with optional pin plugs. We only describe the direct connection in these instructions.



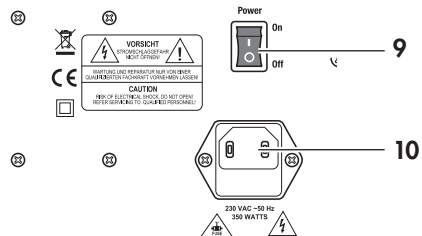
Observe the correct polarity!

Connect the like-coloured terminals. Otherwise, the sound quality will suffer. The strands of the speaker cables are marked with different colours or shapes.



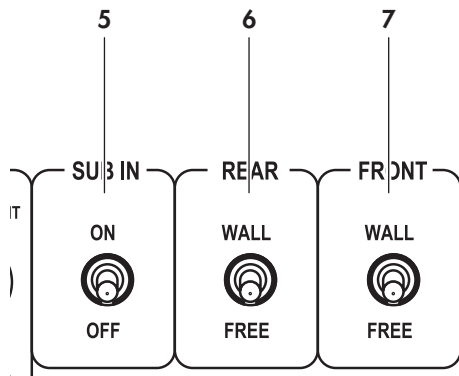
- Split the single wire down to approx. 30 mm on both ends and strip approx. 10 mm of insulation off of each cord. Twist the single wires together so that no strands are protruding.
- Turn the connector terminal counterclockwise until loose. Run the stripped cable end into the now visible hole. Turn the terminal clockwise until closed. The cable has now been clamped into place.
- Connect all cables to the speakers in this way.
- Connect the other ends of the speaker cables to the jacks (8) of the subwoofer in the same manner.

Connecting to a power supply



- Make sure that the mains switch (9) is set to "Off".
- Use the power cord (3) to connect the mains connector jack (10) with an easily accessible socket.
- Insert the power plug of the connected unit back in the socket.
- Now turn on the connected unit and set the mains switch (9) of the subwoofer to On.

Configuring the speakers



3 slider switches are located on the back side of the subwoofer which have to be adjusted depending on the position of your satellite speakers:

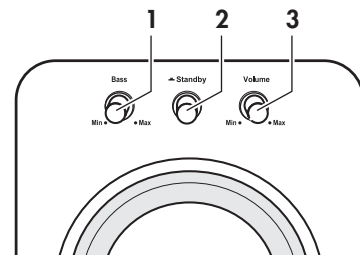
Switch "Front" (7) and "Rear" (6)

- **Wall:** This is the correct setting if the satellite speakers are wall hung. It reduces unpleasant bass range increases that comes from the wall.
- **Free:** This is the correct setting if the satellite speakers are mounted on the table stand or are free standing on a shelf or table.

Switch "Sub In" (5)

- **On:** Subwoofer is operational.
- **Off:** Subwoofer is muted.

Subwoofer settings



The 3 controls on the front side of the subwoofer have the following function:

- **Bass (1):** This control adjusts the bass playback intensity.
- **Standby (2):** This button activates the subwoofer or sets it to standby.
- **Volume (3):** This control adjusts the overall volume.

Care and cleaning

Clean the subwoofer and the satellite speakers regularly with a soft, damp microfiber cloth. When doing so, please be absolutely sure to observe the following instructions:

Danger Risk of electric shock!



In contact with live parts, water can lead to electric shock or short circuit.

- Make sure that no liquid penetrates the unit.
- Disconnect the mains plug before cleaning.

Attention Risk of damage!

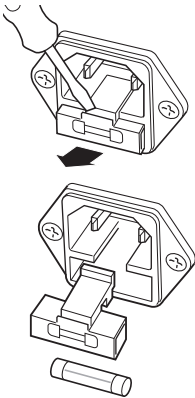


Using the wrong cleaning materials may damage the delicate surface of the case.

- If possible, only use plain water without any additives. In case of stubborn marks, a mild soap solution may be used.
- In no circumstances should caustic cleaning products, white spirit, thinners, petrol or similar be used for cleaning.

Troubleshooting

The following advice should help you to solve problems. If this doesn't work, please contact our hotline (see page 3). Take note of the warranty instructions.

Problem	Possible cause	Solution
The subwoofer isn't working.	The subwoofer is off or doesn't have any power.	Turn on the switch (9) ("I"). Check the power cord and socket.
	Fuse defective.	Replace the fuse: <ol style="list-style-type: none"> 1. Disconnect the power cord. 2. Carefully pull out the fuse holder (11) on the mains connector jack (10). 3. Push the old fuse down and out. Insert a new fuse (2 A delay-action). 4. Close the holder. 
The subwoofer doesn't emit any bass tones.	The Sub In (5) switch is set to Off .	Set the switch to On .
The subwoofer hums.	The subwoofer is connected to a different circuit than the rest of the system.	Connect the subwoofer and the connected device to the same electric circuit.
	The humming is caused by line disturbance.	Buy a line filter and connect both devices to it.
	The humming is caused by a multiple socket.	Use another multi-outlet power strip or connect the subwoofer directly to the wall socket. It may also help to insert the power plug the other way around.
The playback has interference.	Generally speaking, the Concept G 850 THX is a very low-noise system. In the high range area, very high-quality high-resolution speaker systems can expose the poor quality of a signal source (e.g. from MP3 files).	Ensure that the source is sending a clear signal.
The sound seems dull.	Satellite speakers connected with incorrect polarity.	Make sure the speaker cables of all satellites are connected properly.

Protecting the environment

Disposing of the unit



Used units must not be disposed of with household waste!

If the unit is no longer operational, every consumer is required by law to dispose of used devices separately from household waste,

e.g. at a collection point run by the communal authority borough. In this way it is ensured that used devices are properly recycled and that negative consequences on the environment are avoided. For this reason, electrical equipment is labelled with the displayed symbol.


Technical data

Subwoofer

Power consumption: max.: 500 W
Operating voltage: 220–230 V~, 50 Hz or 110–115 V~, 60 Hz
Dimensions (WxHxD): 209 x 474 x 425 mm (with spikes)
Weight: 12.85 kg

Satellite

Dimensions (WxHxD): 115 x 290 x 240 mm
Weight: 1.9 kg

 This product conforms with Council of the European Union guidelines 2004/108/EC and 2006/95/EC.

Technical changes reserved!

Teufel

For questions, suggestions or other issues please contact our customer service department:

Lautsprecher Teufel GmbH
Gewerbehof Buelowbogen - Ausgang D1
10783 Berlin (Germany), Buelowstr. 66

Tel.: 00800 200 300 400 (toll-free)
Fax: +49 (0)30-300 930 930
www.teufelaudio.com

No liability is accepted for the accuracy of this information. Technical changes, typographical errors and other errors reserved.