



Cinebar 50 Special Edition

Virtual surround active speaker with subwoofer

Teufel

Original packaging
We recommend keeping the packaging if you want to take advantage of the eight-week right of return, because we can only accept the speakers IN THEIR ORIGINAL PACKAGING. We are unable to supply empty boxes!

Technical data
Technical data can be found in the product description on our website at www.teufel.eu.



For your information

The information in this document may be changed without advance notification and does not represent any obligation on the part of Lautsprecher Teufel GmbH.

No part of these operating instructions may be copied in any way, whether electronically, mechanically, using photocopies or recordings, or transferred without the prior written agreement of Lautsprecher Teufel GmbH.

© Lautsprecher Teufel GmbH

Version 1.2

August 2011

Trademark

® All trademarks are the property of their respective owners.

Dolby

Manufactured under licence from Dolby Laboratories. »Dolby«, »Pro Logic« and the DD symbol are trademarks of Dolby Laboratories.

DTS

Manufactured under licence under U.S. patent numbers: 5,451,942 5,956,674; 5,974,380; 5,978,762; 6,487,535 and additional patents, both issued and pending, in the U.S.A and worldwide. DTS and DTS Digital Surround are registered trademarks; and the DTS logos and the DTS symbol are trademarks of DTS, Inc. ©1996–2008 DTS, Inc. All rights reserved.

Warranty terms

12-year warranty for speakers and 2-year warranty for power amplifiers and electronics (from purchase date) on materials and work time, with the exception of damage caused by incorrect use or electrical or mechanical overload. An original copy of our invoice is required as the warranty document. This warranty is exclusively valid for speakers, power amplifiers and electronics that have been purchased from Teufel for private use by end customers. The warranty is not valid for speakers, power amplifiers and electronics that the end user has purchased from a different distributor. For third-party products, the warranty conditions of the respective manufacturers shall apply. If the Teufel product is sold on privately, the warranty may be transferred to the purchaser, providing that the original proof of purchase is also transferred.

Returns

Teufel provides an eight-week right of exchange or return with reimbursement of the product purchase price paid.

The return of individual components from a set is only possible if these components are also offered for sale separately by Lautsprecher Teufel. If individual components are returned, any price discount given by Lautsprecher Teufel on all components in a set as part of the price for the set is waived. When returning a component, the customer will be reimbursed for the price difference between the set price and the purchase price of the individual components retained by him/her. The financial outcome for customers is as if they had bought the remaining components at the individual price from the outset.

You can find more information on the subject of returns on the returns form that accompanies the delivery or online in the support area of our website www.teufel.eu.

If you need to return an item, do not act without the prior agreement of Lautsprecher Teufel.

We can only process and accept returns if you have informed us first by phone and discussed the procedure with us!

Complaints

If you have a complaint, it is essential that you provide the following information so that we can respond:

1. Invoice number

Found on the sales receipt (enclosed with the product) or the order confirmation that you received as a PDF file, e.g. 4322543.

2. Serial number

Can be found at the rear of the device, e.g. serial #: CB 04007480121A

Thank you for your support.

Contact

Please contact our service department if you have any questions, suggestions or if there is anything you think we could do better.

Lautsprecher Teufel GmbH
Gewerbehof Bülowbogen
Bülowstraße 66
10783 Berlin (Germany)
Tel.: 00800 200 300 40
Fax: +49 (30) - 30 09 30 30
www.teufel.eu

Contents

Table of contents.....	3
Safety and care instructions.....	4
Introducing Cinebar 50 · General functions.....	5
Unpacking · Contents.....	6
Set-up · Assembly.....	7
Cinebar 50 front.....	8
Cinebar 50 back · Subwoofer connection.....	9
DVD player and TV set connection.....	10
CB 50 RC remote control.....	11
Volume adjustment · Sound source selection.....	12
Volume control · Mode setting.....	13
USB playback · Repeat function.....	14
Troubleshooting.....	15

Glossary



Dolby Digital (ATSC A/52) is the digital multichannel audio format created by Dolby Laboratories. It was developed for efficiently storing film sound with up to 5.1 sound channels. The data is compressed using psychoacoustic processes and transferred in a single data flow. The format supports various data rates. The format also has options for automatic adjustment of volume differences (dynamic compression) and also the possibility of allowing playback via a two-channel speaker system using stereo downmix.

Dolby Virtual Speaker simulates the surround sound playback provided by five speakers and an LFE effect channel in systems using a two-channel speaker combination. In contrast to stereo downmix by Dolby Digital, which only places the missing channel information of 5.1 audio material in the existing speakers, the Dolby Virtual Speaker procedure uses psychoacoustic room modelling to

create pseudo-sound sources that suggest the existence of speakers in the appropriate room positions.



MP3 (MPEG-1 Layer 3) is a widely used digital data format for saving audio data (mono/two-channel stereo) in a compressed form using psychoacoustic processes. MP3 files may exist in various—and sometimes variable—bit rates, which can have a direct influence on playback quality.



USB (Universal Serial Bus) is a widely used serial, digital interface protocol. A USB host appliance can request data from terminals and also transmit data to them.

Safety and care instructions

Safety information

Please note

Packaging materials (e.g. plastic bags) should be kept out of the reach and sight of children to avoid the risk of suffocation.

Set-up

Please refer to the label on the back of the Cinebar 50 Unit. This provides information on the required mains voltage.

In order to make sure that heat dissipates, please set up your Cinebar 50 Unit either freestanding or leave a ventilation gap of at least 7–10cm. Do not block any of the ventilation openings on the appliance itself. You can find more information on the best way to set up your appliance on page 7.

- ▶ Do not stack this appliance on top of other appliances.
- ▶ Switch off attached devices and the Cinebar 50 Unit before moving them.
- ▶ Switch off all components and the Cinebar 50 unit before connecting or changing the cables.
- ▶ Please switch the Cinebar 50 Unit to standby or disconnect it completely from the power supply, especially if you are not using the appliance for a long time.
- ▶ Avoid high temperatures caused by direct sunlight or radiators/heaters and protect your speakers from humidity.
- ▶ Place the subwoofer on a level surface, because the appliance emits sound downwards.

For your safety

Never open the appliances or try to make any repairs. None of the parts inside the appliances require maintenance. As a result of the internal operating voltage, opening the appliance may result in death. Always contact qualified service staff.

Caution

- ▶ The Cinebar 50 System is not designed for industrial use, only for domestic/personal use.
- ▶ Please do not place items containing liquids on the appliance or the subwoofer.
- ▶ External influences such as storms and static discharges can affect the functioning of the appliance. If this occurs, please switch off the Cinebar 50 Unit and the subwoofer and then switch them on again. Alternatively, please remove the mains plug from the socket and then insert it again.
- ▶ Significant temperature fluctuations can cause condensation to form in the Cinebar 50 System which may impair its functions. If this happens, please leave the appliances switched off at room temperature for several hours and then check whether the appliances work properly.
- ▶ Under no circumstances should you bridge or splice the earth wire of the electricity supply.

Please do not place items containing liquids on the appliance or the subwoofer.

In case of emergency

If any of the following occur, disconnect the appliance from the mains and consult our technicians:

- ▶ If the plug or cable are damaged
- ▶ If foreign bodies or liquid have got into the appliance
- ▶ If an appliance has been in direct contact with rain or other water
- ▶ If an appliance does not play, even though you have followed the instructions for use
- ▶ If one of the appliances has been dropped or damaged in some other way.
- ▶ If foreign objects have entered one of the appliances.

We cannot accept any responsibility for incidents that occur because safety information has not been adhered to.

Information on protecting the environment

The batteries used in this product contain environmentally damaging chemicals. Please dispose of used batteries in line with the currently applicable laws and directives.

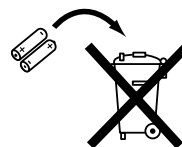


Please note

Risk of electrocution – do not leave children unsupervised with electrical devices!

Note

This product and its operating instructions include third-party licences. These licences are restricted to private and non-commercial use. The usage licence is also exclusively restricted to this product. The licence only covers the appliance's ability to encrypt and decipher audio files in line with ISO/IEC 11172-3 or ISO/IEC 13818-3. No usage rights are issued for functions that do not match these specifications.



Care instructions and cleaning

To make sure you are able to enjoy your Lautsprecher Teufel product for a long time, please note the following tips:

- ▶ Please only use a lightly dampened or dry cloth to clean the Cinebar 50 System.
- ▶ Abrasive products and cleaners (benzine, thinners) that contain alcohol should be avoided.

Introducing Cinebar 50 · General functions

Dear Lautsprecher Teufel customer,

Thank you for choosing the Cinebar 50 System from Lautsprecher Teufel. Cinebar 50 is a complete system for playing sound and film tracks. The Cinebar 50 combined receiver speaker unit combines a two-channel amplifier with two high-quality speakers (Cinebar 50 Unit). This unit is completed by a matching subwoofer that has its own integrated high-performance amplifier. You can connect various sound sources directly to the Cinebar 50 Unit via analogue and digital inputs. Thanks to the integrated USB interface, the Cinebar 50 System even allows you to connect mobile MP3 media players and USB data storage devices.

The integrated Dolby Digital Downmix Matrix and additional support from “bass redirection logic” ensure that media encoded for surround sound, such as 5.1 sound, are reproduced accurately on your 2.1 speaker system. Thanks to Dolby Virtual Speakers, the unit can also be used to create surround sound in 2.1 speaker configuration. In terms of sound quality, the system lives up to all the expectations you could have of a Lautsprecher Teufel home cinema system.

Please read these instructions carefully before operating the unit and store the manual in a safe place for future reference. If you have any further questions, please contact our engineers on tel. +49 (30) 300 9 300—or use the e-mail contact form on our website: www.teufel.eu. Please have your invoice number ready, so we can immediately locate your product and provide the best possible support.

Before contacting us with a question, please read the »Problems and solutions« section on page 15 of these operating instructions and visit our website (www.teufel.eu) where you will find answers to many questions in the »FAQ/Support« section. Please refer to our safety information on page 4 of these operating instructions and only use the system once you have read the safety information.

Please make a note of the invoice and serial numbers for your device on the last page, so that you have the available information to hand in the event that you require service.



General functions

Outstanding sound playback

You can enjoy music in crystal-clear sound with the Teufel Cinebar 50 System. The Dolby Digital technology developed by Dolby Laboratories enables the playback of 5.1 surround sound sources via a 2.1 amplifier/speaker system.

Dolby Virtual Speaker technology

The Cinebar 50 System supports the Dolby Virtual Speaker, developed by Dolby Laboratories. This simulates surround sound playback from five speakers and the LFE effect channel in systems using a two-channel speaker combination with a subwoofer. Psychoacoustic room modelling procedures are used to create pseudo-sound sources that suggest the existence of speakers in the corresponding room positions. Please see set-up information on page 7.

Playback from USB storage media

You can use the Cinebar 50 to play back audio files in MP3 and WMA format from USB storage media. USB sticks with up to 8 GB capacity and hard drives up to 160 GB are supported.

External audio inputs

Analogue and digital signal sources can be connected to the Cinebar 50 Unit. There are two analogue stereo inputs and two digital inputs in optical and coaxial format on the back, where you can connect DVD players, CD players or satellite receivers.

Repeat

You can repeat one or all tracks on a connected USB medium, just by pressing the repeat button.



Teufel

Unpacking · Contents

Please note

Please keep the boxes for the eight-week return period at least, as we can ONLY repay the full purchase price if the products are returned in the ORIGINAL PACKAGING in which they were supplied!

Unpacking

Fold back the flaps on the top of the box, remove the polystyrene pieces and lift each item out of the box carefully. We recommend keeping the boxes and packaging that came with the Cinebar 50 Unit in order to ensure safe transport for any later servicing.

Note

The remote control battery is protected by plastic film. Pull the flap sticking out of the back of the remote control before use.

Before start-up

The Teufel Cinebar 50 System is supplied as a complete system in two boxes. The subwoofer is delivered in its own carton. Check that all of the contents are there before installation.

Contents

- ▶ 1 x Cinebar 50 amplifier/speaker
- ▶ 1 x base for Cinebar 50
- ▶ 1 x wall bracket for Cinebar 50 (pre-assembled)
- ▶ 1 x CB 50 RC remote control (battery type CR2025)
- ▶ 1 x audio connection cable for subwoofer
- ▶ 6 x cinch angle adapters
- ▶ 1 x angle adapter for the optical cable (rotating)
- ▶ 1 x mains power cables for Cinebar 50 Unit
- ▶ 1 x set of operating instructions
- ▶ 1 x return form



◀ Cinebar 50 receiver/speaker



◀ Base for Cinebar 50



◀ Wall bracket for Cinebar 50 (pre-assembled)



◀ CB 50 RC remote control



◀ Connection cable for subwoofer



◀ Cinch angle adapter



◀ Angle adapter for optical cable

Warning

Explosion hazard with inappropriate replacement of the battery. Replacement only by the same or an equivalent type. Not expose batteries to excessively warm as sunshine, fire or like.

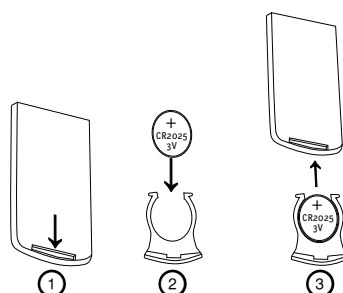
Please note

If the batteries have leaked, wipe up the liquid in the battery compartment carefully with a cloth and replace the batteries.

Note

Remove the batteries from the appliance if you do not intend to use it for a long time. Never try to recharge the batteries.

Inserting new batteries into the remote control



- ① Open the battery compartment cover on the back of the remote control.
- ② Insert a CR 2025 coin battery. Please ensure that the poles (plus and minus) are correct.
- ③ Close the battery compartment.

Setting up the speakers

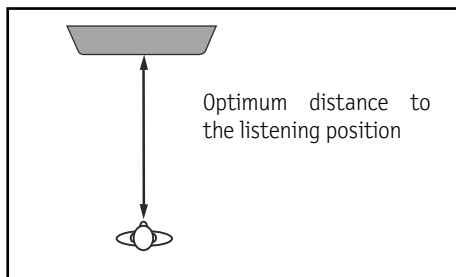
The Cinebar 50 System is a high-quality stereo and surround playback set suitable for reproducing film and music sound in rooms up to 30m². The sound is automatically in perfect symmetry with the picture thanks to the satellite speakers that form an integral part of the Cinebar 50 Unit, which is attached or set up below or above your flatscreen TV.

- ▶ Set-up height should be between 40 centimetres and 2.0 metres, ideally at ear height to the sitting position. Your listening position should be central and in front of the Cinebar 50 Unit. It also helps to position the Cinebar 50 Unit in a central position between the two side walls.

When set up correctly, the Cinebar 50 System simulates surround sound realistically, using a front speaker alone.

You can achieve optimum effects at the following listening distances, for example:

- ▶ Room size 10 m² Listening distance: 1.5 m
- ▶ Room size 16 m² Listening distance: 2.1 m
- ▶ Room size 20 m² Listening distance: 2.7 m



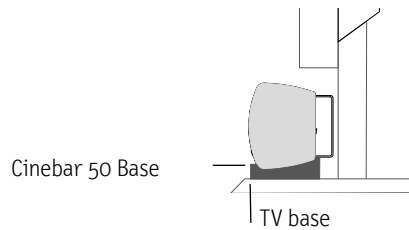
Setting up the subwoofer

You can locate the subwoofer anywhere: this will not affect the other speakers. It is usually beneficial to position the subwoofer near the Cinebar 50 Unit. To adjust the levels between the Cinebar 50 Unit and the subwoofer, please read the relevant section on page 12.

Assembling the base

The Cinebar 50 Unit can be positioned as a standing appliance on the base supplied. For optimum sound, please place the Cinebar 50 Unit right in the centre, above or below the TV.

- ▶ Do not place or lean any objects on or against the Cinebar 50 Unit.
- ▶ Avoid placing the Cinebar 50 Unit in front of the TV's remote control receiver.



Note

If colour changes occur in the TV picture (e.g. on tube sets), increase the distance between the Cinebar 50 Unit and the TV set until the colour changes completely disappear. For wall mounting, please check for any changes in colour before assembly.

Note

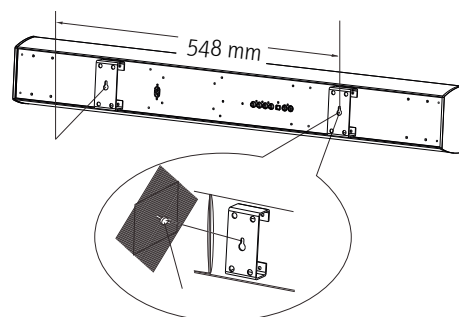
The positioning illustrated may not be possible, depending on the TV set construction.

Wall mounting the Cinebar 50

The Cinebar 50 Unit can be fixed directly to a wall using the rear bracket. Before doing so, ensure that the wall is sturdily constructed and capable of supporting the load! Please use strong screws in combination with the wall plugs supplied to guarantee a secure hold. For perfect sound, set up the Cinebar 50 Unit below the TV set.

Please note:

- ▶ Do not place or lean any objects on or against the Cinebar 50 Unit.
- ▶ Attach the connecting cables to the wall to avoid any possible trip hazards that could cause the Cinebar 50 Unit to fall.
- ▶ After assembly, please check that the Cinebar 50 Unit is mounted securely and recheck at regular intervals. Lautsprecher Teufel accepts no responsibility for damage caused because of incorrect assembly.



Each side of the bracket is attached to the wall using a screw.



Using the angle adapter

When wall-mounting the Cinebar 50 Unit, please use the angle adapters supplied. These ensure that the cables lie correctly. Connect the cinch adapter to the corresponding colour-coded jacks on the back. The jacks should always point downwards (with the exception of any connections to the TV set). The optical angle adapter can be swivelled. This adapter should also point downwards.

Cinebar 50 front



① Standby

Switches the appliance on and off. When you switch off the appliance, the Standby message appears for a short while in the appliance display.

② Source

Switches through the available inputs, one after the other. Aux 1, Aux 2, Optical, Coaxial and USB. When the appliance has been switched on, the last signal source selected will automatically be selected again.

③ USB port

Supports storage media with a USB 1.1/2.0 interface. USB sticks with up to 8 GB capacity are supported.

④ Display

The display is used as a clear text display for the selected sound source and the activated operations. In USB player mode, the display shows the current track number and the playing time. In this mode, the display also shows small symbols for recognised MP3 files and Play and Pause modes.

⑤ Volume +/-

Use these buttons to control the amplifier volume. The control range is from 0 to 40 (maximum volume).

⑥ LED power light

Indicates that a power supply is present. This LED lights up red in standby mode. During normal operation, the LED doesn't light up. Instead the last active signal source is shown on the display and selected when the device is switched on.

Cinebar 50 back • Subwoofer connection

Cinebar 50 Unit back

① Power supply

Connect the appropriate power supply cable to supply the Cinebar 50 Unit with power.

② Analogue audio inputs

Use the Aux 1 and Aux 2 stereo inputs to connect analogue signal sources. Use normal cinch cables for the connection.

③ Digital audio inputs

You can connect compatible digital audio appliances here. You can use either a coaxial or an optical cable connection. You can also feed in encoded, multichannel surround data using these inputs.

④ Subwoofer output

Connect the subwoofer to the Cinebar 50 System here. The cut-off frequency is set at 150 Hz.

Connection to the subwoofer

The subwoofer is directly connected to the Cinebar 50 Unit using the cinch cable supplied. If the cable isn't long enough you can use a longer, preferably high-quality cinch cable.

Subwoofer back

⑤ Cinebar In

Connect this jack to the subwoofer output of the Cinebar 50 unit.

⑥ Auto

This switch activates the automatic switch-on function of the subwoofer. If there is an audio signal at the input, the subwoofer will switch on. If there is no signal for a few minutes, the subwoofer will switch to standby mode.

⑦ Volume

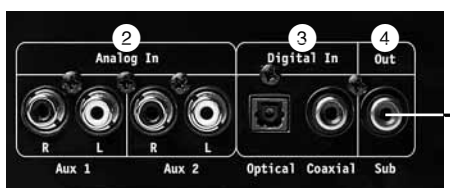
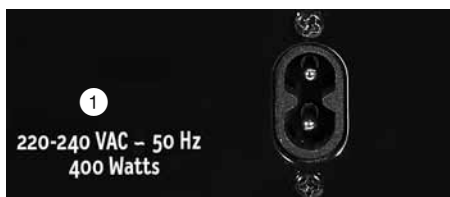
You can adjust the global output volume of the subwoofer using the level control. Please read the "Subwoofer volume" section on page 12.

⑧ Power

This rocker switch is used to switch the subwoofer on and off.

⑨ Power supply

Connect the appropriate power supply cable to supply the subwoofer with power.



Please note

The Cinebar 50 System independently recognises whether the subwoofer output is being used. If the jack is being used, the sound will be adjusted accordingly. If you are using the subwoofer, this should always also be switched on.

Note

If you want more powerful bass effects, you can connect a larger or second active subwoofer to the subwoofer output.

Explanation of symbols



The arrow-headed lightning symbol in an equilateral triangle indicates the presence of a dangerous non-insulated electrical voltage within the system housing and therefore a risk of electrical shock.



The exclamation mark in an equilateral triangle, as affixed to the appliance, is to make the user aware of important operating and maintenance instructions.



This product complies with European Community guidelines 2004/108/EC and 2006/95/EC



The dustbin symbol printed on our products' type plates and amplifiers states that Lautsprecher Teufel guarantees proper disposal of these speakers and subwoofers in line with the Electrical and Electronic Appliance Act.



This product is a safety class II product in accordance with DIN standard EN 61140 (VDE 0140-1) and IEC 60417 and does not require a safety plug, only the plug supplied (2-pole). The casing has reinforced or double insulation against electric shock.

Attention

The separating equipment of this equipment is the mains plug, this separating equipment must be usable without difficulties.

DVD player and TV set connection

Before start-up

Always switch off the Cinebar 50 System, the television and all other connected components before changing the cabling.

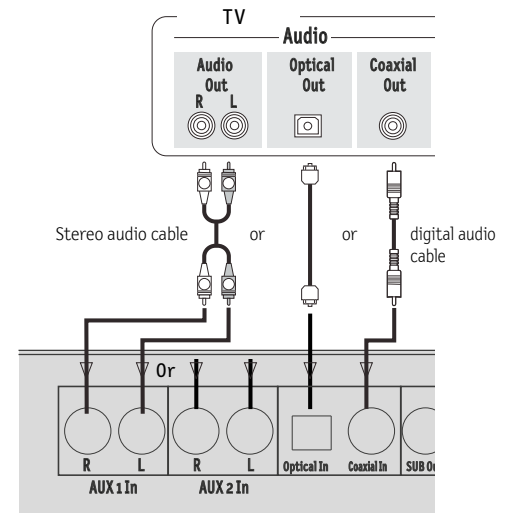
Note

If you are playing TV sound via the Cinebar 50 System, you can control the volume from the TV appliance. This also applies to peripheral appliances such as DVD players whose sound is reproduced through the TV set.

Connection to a TV set

Connect the sound output of your TV to the analogue input of the Cinebar 50 Unit. Use a standard high-quality cinch cable for this purpose. You can also use a digital connection, if available. If your television sound comes from an external receiver, connect it as a sound source instead.

For more information on connecting external components to the Cinebar 50 Unit, please see the relevant operating instructions for these products.



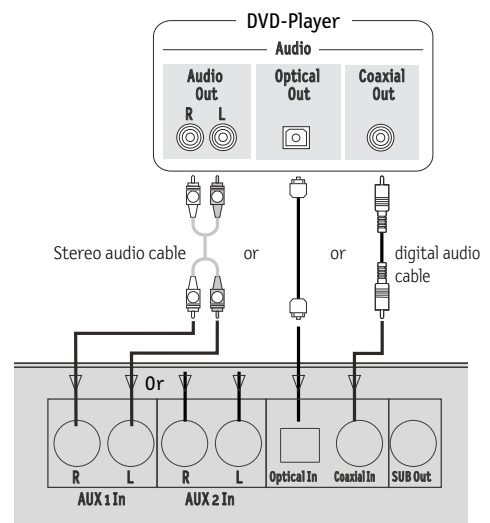
Note

Remove the cover from the socket and the jacks before you use the optical cable.

DVD player connection

Connect the sound output of your DVD player to the Cinebar 50 Unit. We recommend using digital audio interfaces, because they are capable of transferring encoded surround formats. The DVD player also needs to be connected to the TV set for picture playback.

Alternatively or in addition to a DVD player, you can also connect Blu-Ray players, games consoles, CD players and other appliances to the free jacks on the Cinebar 50 Unit. However, record players cannot be connected to the Cinebar 50 System without an external preamplifier.



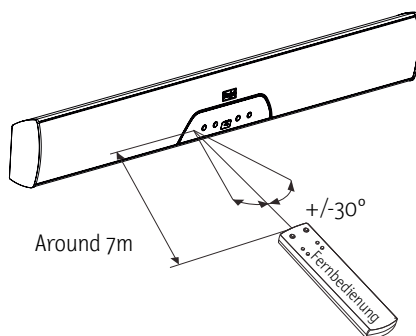
CB 50 RC remote control

The Cinebar 50 System is primarily operated using the CB 50 RC remote control supplied. You can clearly see the status of the selected functions on the appliance display, even from a distance.



Range of functions of the CB 50 RC remote control

Always point the remote control towards the receiver on the Cinebar 50.



① Standby

Switches the appliance on and off.

② USB

Press this button to select playback from USB storage media. MP3 and WMA file formats are supported.

③ Mute

Switches sound playback on and off. The display shows the active mute function.

④ AUX 1/2

Press this button to select audio inputs Aux 1 and Aux 2 as sound sources. Pressing the button repeatedly switches between the two inputs.

⑤ Optical

Press this button to select the optical digital audio input as a sound source.

⑥ Coaxial

Press this button to select the coaxial digital audio input as a sound source.

⑦ ⑧ VOL +/-

These two buttons are used to control the volume.

⑨ Prev

During USB playback, use this button to jump back to the start of the track. Pressing it again will take you back to the start of the previous track.

⑩ Next

Use this button to jump to the start of the next track during USB playback.

⑪ Play/Pause

Use this button to start playback of a connected USB medium or to pause playback.

⑫ Sub +/-

These two buttons are for controlling the volume of the subwoofer channel.

⑬ Mode

Switch between the various stereo operating modes by pressing this button repeatedly.

⑭ Repeat

During USB playback, use this button to repeat one or all tracks or to switch off the repeat function.

⑮ Tone

Press this button to control the bass and treble sound during music playback. Pressing this button repeatedly switches between the bass and treble menu options.

⑯ EQ

Switch between the various EQ presets by pressing this button repeatedly.

Note

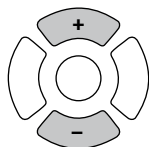
Under some circumstances, the remote operability of the Cinebar 50 System may be impaired. Possible causes for this are direct sunlight, strong sources of artificial light or infrared lights.

Adjusting the volume · Selecting the sound source

Note

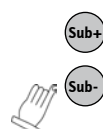
Use the mute button on the CB 50 RC to completely stop sound playback at any time.

Adjusting the volume



Press the (+) button to increase the volume. Use the (-) button to reduce the volume. Alternatively, you can also use the appropriate operating controls on the Cinebar 50 Unit (Vol -/+). Please refer to the information below about setting the volume on the subwoofer.

Setting up the subwoofer



Use the Sub +/Sub - buttons to adjust the subwoofer volume within the working range of +/- 12dB. The display shows the corresponding value. Use this button to adjust the subwoofer to the current sound program.



Note

The closer you place the subwoofer to a wall or corner, the louder you can hear the bass playback.

Setting the sound levels on the subwoofer

As the subwoofer has its own sound level control, this should be in the maximum position. If you use this position as a starting point, you can make fine adjustments later using the remote control, depending on the current sound programme.

This is done as follows:

First set the subwoofer level to position "0" using the remote control (see above).

Now play a high-quality CD on the Cinebar 50 System. Adjust the volume control on the subwoofer until you achieve a harmonious sound.

Note

We recommend that you buy a Teufel sound level meter (from our online shop) to measure the level precisely. You can determine the exact output level from both sound sources using this appliance and the usual test signals.

Selecting the sound source



The Cinebar 50 System can choose between five possible sound sources (inputs).

- ▶ Aux 1
- ▶ Aux 2
- ▶ Coaxial
- ▶ Optical
- ▶ USB

The sound source is selected either by repeatedly pressing the source button on the Cinebar 50 Unit or on the CB 50 RC remote control. The coaxial, optical and USB inputs have their own buttons. Aux 1 and Aux 2 share a button. You can switch between the two inputs by repeatedly pressing on the Aux 1/2 button.

The display on the Cinebar 50 Unit shows you the input that has been selected.



Volume control • Mode setting

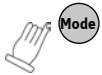
Sound settings



Pressing the sound button branches the sound control. By pressing the button once you can access the bass control, whose working area can be controlled by +/- 6 dB using the “+/-” buttons. By pressing the button again you can access the treble control of the treble component. You can also adjust the value up to +/- 6dB using the “+/-” buttons. The display shows the value that has been set.



Mode setting



Press the mode button during playback to select the required stereo mode. Pressing the button repeatedly will switch between “Reference”, “Stereo” and “Wide” modes (presets). The selected mode will be shown on the display. Select “stereo” for conventional two-channel playback. “Reference” and “Wide” are alternative operating modes with virtual surround playback.



EQ set-up



Pressing the EQ button repeatedly switches between the sound presets “Flat”, “Rock”, “Pop”, “Classic” and “Jazz”. The selected mode is shown on the screen.



Note

There may be a slight pause in playback when changing the operating mode (Mode) and sound settings (EQ).

USB playback · Repeat function

Playback from USB storage media



You can select a USB medium as a sound source by pressing the USB button. USB sticks with a capacity of up to 8 GB and hard drives up to 160 GB are supported. The storage device must be formatted in FAT 16/32 format. MP3 and WM3 files can be read, but not WAV format. Subfolders on the USB device are also recognised. The tracks are played or selected according to the file hierarchy, and in alphabetical order within a level of the file structure. Depending on the USB device and the quantity of MP3/WMA files it contains, the reading process may take a while. The reading process is indicated on the display with the message “Loading”.

Note

When you insert a USB device into the selected USB port, the “Loading” message will be shown in the display. The first track will then start to play automatically. The same applies if you switch on the Cinebar 50 System with a USB device inserted and if the USB port was the last selected source.

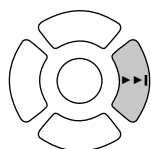


Start playback by pressing the play button, which also functions as a pause button. The display shows the track number currently selected and the play time. The display also shows a small symbol for the playback and pause functions as well as an MP3 symbol.

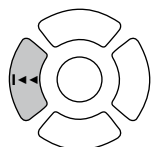


Track selection

Use the “Prev” and “Next” buttons to select tracks.



Press the “Next” button to skip to the beginning of the next track.



Press “Prev” to select the beginning of the current track and press it again to jump back to the beginning of the previous track.

Repeat function



Press the repeat button to switch the repeat function on or off. You can choose between no repeats, repeating the current track or repeating all tracks. The display shows you the selected mode:

- ▶ Re Off No repeats
- ▶ Re 1 The current track will be repeated.
- ▶ Re All All tracks will be repeated



Troubleshooting

If a problem should occur, please check through the following advice before contacting our service staff.

No power

- ▶ Please check whether the plug is properly inserted in the mains socket.
- ▶ Check whether the corresponding electric circuit is live.

No sound or poor sound output

- ▶ You may have inserted an incompatible disc. To test this, insert an audio CD into your playback appliance and use the remote control to select the correct input.
- ▶ Check whether the television and Cinebar 50 are switched on and ensure the correct programme source is selected.
- ▶ Check the cable connection between the TV, player and Cinebar 50.
- ▶ Check whether the mute function has been activated.
- ▶ Check whether the subwoofer is switched on.
- ▶ The USB device is not recognised or does not contain any readable data. First try to play other tracks or another medium.
- ▶ Condensation may have formed in the appliance. Remove the USB device and leave the appliance switched on for one to two hours.

Malfunctions

- ▶ If the Cinebar 50 System malfunctions, disconnect the device from the power supply for at least 30 minutes. Then connect the Cinebar 50 unit again. The internal restore function should reset the appliance.

No surround sound playback

- ▶ The transfer of surround-encoded data requires a digital connection to the Cinebar 50 Unit.
- ▶ Check whether the operating mode has been set to "Reference" or "Wide" (mode button).
- ▶ Not every DVD has surround sound. Try inserting another DVD to test this.

The remote control does not work

- ▶ First check whether the batteries are still charged and if necessary replace them.
- ▶ Point the remote control at the sensor on the Cinebar 50 Unit.
- ▶ Make sure that there are no obstacles between the remote control and Cinebar 50 Unit. Remove these, if necessary.
- ▶ Check whether the batteries in the remote control have been inserted with the correct polarity.
- ▶ Check whether the batteries have leaked.
- ▶ Check whether there are fluorescent lamps close by.

The appliance does not react to input commands

Switch the appliance to standby and switch it on again. If this doesn't help, switch the system off completely and then on again. To do this, switch the Cinebar 50 Unit to standby. Now switch the subwoofer off and disconnect the power supply to the Cinebar 50 Unit. Follow this procedure in reverse to switch the system on again.

The USB stick is not recognised

Due to the wide variety of USB sticks on the market, it is not possible to guarantee 100% compatibility with all sticks. We have had the best test results with the latest USB memory sticks (using the USB 2 standard).

No MP3 playback/noisy MP3 playback

- ▶ If data files and MP3 files are mixed together on the same data storage device, playback may be noisy or even blocked altogether.
- ▶ Check to see whether all of the files on the storage medium are MP3 files. If necessary skip files and try to play other MP3s.

Technical description and operating instructions for the Cinebar 50

Please note the serial number displayed on the sticker on the box (e.g. SY05007200216A) and this invoice number:

My INVOICE NUMBER is:

.....

My SERIAL NUMBER is:

.....

This serial number and the invoice number make it easier for us to process your request quickly if you require service.

Teufel

Please contact our service department if you have any questions, suggestions or if there is anything you think we could do better.

Lautsprecher Teufel GmbH
Gewerbehof Bülowbogen · Bülowstraße 66
10783 Berlin · Germany

Tel.: 00800 200 300 40
Fax: +49(30) 30 09 30 30
www.teufel.eu

All information is provided without guarantee of correctness. Subject to technical changes, typing errors and mistakes. The information provided regarding weight and dimensions is approximate and subject to change.