

# Technical Description and Operating Instructions

---



## Definition 3S

Bookshelf Speakers

**Teufel**

# Contents

---

<b>Environmental Protection</b> .....	<b>2</b>	<b>Unpacking and Preparation</b> .....	<b>5</b>
Disposal information.....	2	Unpacking.....	5
<b>Technical Data</b> .....	<b>2</b>	Checking the product contents.....	5
<b>General Notes and Information</b> .....	<b>3</b>	Setting up the Definion 3S stands.....	5
For your information.....	3	<b>Setting up the Speakers</b> .....	<b>6</b>
Original packaging .....	3	<b>Connecting the Speakers</b> .....	<b>7</b>
Complaints .....	3	<b>Care and Cleaning</b> .....	<b>8</b>
Contact .....	3	<b>Troubleshooting</b> .....	<b>8</b>
Proper use .....	3		
<b>For Your Safety</b> .....	<b>4</b>		
Safety icons .....	4		
Safety notes .....	4		

## Environmental Protection

---

### Disposal information



**Old devices must not be disposed of with household trash!**

If the device is not longer operational, every consumer is required by law to dispose of old devices separately from household trash, e.g. at a collection point run by the city or county author-

ities. This ensures that old devices are recycled in a professional manner and also rules out negative consequences for the environment.

For this reason, electrical equipment is marked with the adjacent symbol.

## Technical Data

---

Dimensions incl. stands (WxHxD)	200x430x380 mm
Weight	13 kg
Impedance	4 Ohm

Further technical data can be found on our website. Technical changes reserved.

# General Notes and Information

---

## For your information

The information in this document may change without prior notice and in no way constitutes any liability on the part of Lautsprecher Teufel GmbH.

No part of this installation guide may in any way be reproduced or broadcast electronically, mechanically, or by photocopy or recording without the written permission of Lautsprecher Teufel GmbH.

© Lautsprecher Teufel GmbH

Version 1.1

October 2015

## Original packaging

If you wish to use your eight-week right of return, we ask that you be absolutely sure to hold on to the packaging. We can only accept the return of the product WITH THE ORIGINAL PACKAGING.

Empty boxes are not available.

## Complaints

If you would like to file a complaint, we will need the following information to process your inquiry:

### 1. Invoice number

Can be found on the sales slip (enclosed with the product) or on the order confirmation you received as a PDF document, e.g. 4322543.

### 2. Serial number or batch number

Located on the back of the device, e.g. Serial No.: TH04....

Thank you for your assistance!

## Contact

Please contact our customer service department with any questions, suggestions or comments:

**Lautsprecher Teufel GmbH**

**BIKINI Berlin**

**Budapester Strasse 44**

**10787 Berlin (Germany)**

Phone 00800 - 200 300 40 (toll-free)

Fax: +49 (0)30 / 300 930 930

E-Mail: [service@teufelaudio.com](mailto:service@teufelaudio.com)

[www.teufelaudio.com](http://www.teufelaudio.com)

## Proper use

Only use the speakers as described in these operating instructions. Any other use will be deemed as not in accordance with the instructions and may lead to damage of property or even persons.

The manufacturer accepts no liability for damage caused by use not in accordance with the instructions.

The speakers are intended for private use.



Before you operate the device, please first carefully read through the safety notes and installation guide. Only then can you ensure that all functions are used in a safe and reliable manner. Store the installation guide in a safe place and also be sure to give it to any subsequent owner.

# For Your Safety

## Signal words

You can find the following signal words in these instructions:

### WARNING

*This signal word indicates a moderate risk which, if not avoided, may result in severe injury or death.*

### CAUTION

*This signal word indicates a low risk which, if not avoided, may result in minor or moderate injury.*

### NOTICE

*This signal word warns of potential damage.*



This symbol provides you with useful additional information on handling and use.

## Safety notes

This chapter provides general safety information that should be considered for your own protection and that of others. Please note that additional warnings are listed in the individual chapters as necessary.

### **An unstable setup location may result in injury and damage.**

- If the speakers are not securely mounted, do not use them in vehicles, unstable locations, with insufficient brackets, on wobbly stands or furniture, etc. The speakers could tip over or fall and cause injury to persons or be damaged itself.
- Place the speakers in such a way that they cannot be inadvertently knocked over and make sure that the cables do not pose a trip hazard.
- Do not place the speakers near sources of heat (e.g. heaters, ovens, other heat generating equipment such as amplifiers etc.).
- Do not place the speakers in direct sunlight.
- Do not place any open fires, such as burning candles, lamps, etc., on the speakers.
- Do not use the speakers in environments where there is a risk of explosion.

- Only use the speakers indoors.
- Do not use the speakers in damp rooms and protect them from dripping and splashing water.

### **An unstable base may cause the unit to tip and injure or even kill persons; children are particularly at risk. You can prevent a large number of accidents by taking the following precautions:**

- If you want to use underframes or speaker stands, only use those recommended by the manufacturer.
- When storing the speakers, ensure that it stands safely and cannot be knocked down or over.

### **Children can become trapped in the plastic wrapping while playing and suffocate.**

- Do not allow children to play with the speakers and plastic wrapping.
- Ensure that children do not remove small parts from the device or take them off of the device (e.g. control knobs or plug adapters). They could swallow the parts and choke.



### **Extended listening at high volumes may lead to hearing loss.**

To prevent damage to health, avoid extended listening at high volumes.

- When the volume is set high, always keep a safe distance from the device and never place your ear directly on the speaker.
- If a speaker is set to full volume, it may produce very high sound pressure. This may have psychological consequences and also cause physical injury. Children and pets are particularly at risk. Set the volume control of your device to a low setting before turning on the power.

# Unpacking and Preparation

## Unpacking

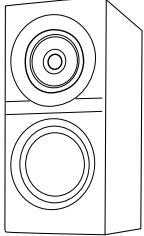

### **⚠ WARNING**

Children can become trapped in the plastic wrapping while playing and suffocate.

- Do not allow children to play with the speakers and plastic wrapping.
- Ensure that children do not take small parts out of the box. They could swallow the parts and choke.

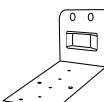
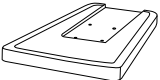

Carefully open the box, remove the EPE foam half shell and carefully lift the speakers out of the box without reaching into the diaphragms.

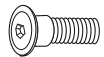

## Package contents

No.	Qty.	Part	
①	2	Speaker Definion 3S	
②	8	Rubber pads	

## Material for mounting on the Definion 3S speaker stands

The mounting plates, the mounting brackets, and further assembly material for mounting the speakers on the Definion 3S stands are shipped in a separate package.

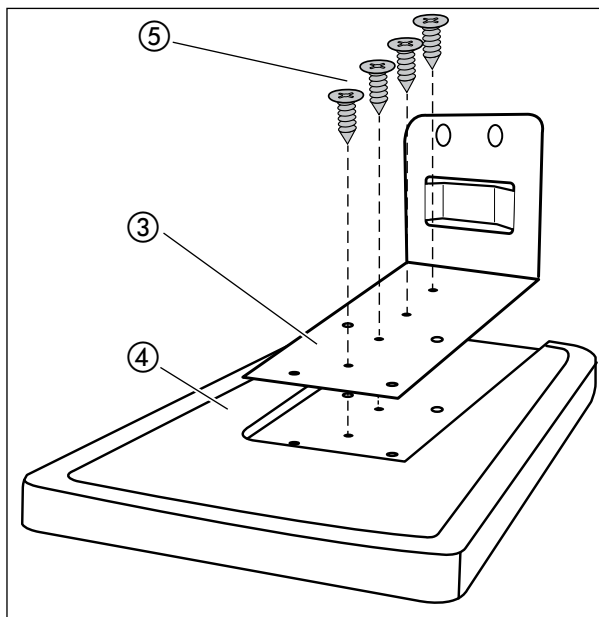
No.	Qty.	Part	
③	2	Mounting bracket	
④	2	Mounting plate	
⑤	8	Phillips-head screw	

No.	Qty.	Part	
⑥	4	Allen screw	
⑦	1	Allen wrench	

- Check that all items have been delivered and nothing is damaged. If there are damaged or missing parts, do not use the device and please contact customer service (see page 3).
- Do not use damaged parts.

## Using the Definion 3S speaker stands

**i** If you have ordered the appropriate Definion 3S speaker stands, install these first.



- Using a Phillips-head screwdriver, attach the mounting brackets ② to the mounting plate ③ using the Phillips-head screws ④. Corresponding screw holes have been drilled into the mounting plate.
- Continue with the installation as described in the installation instructions for the Definion 3S speaker stands.

# Setting up the Speakers

## **⚠ CAUTION**

Set up the speakers in such a manner so they cannot be accidentally knocked over and make sure the cables do not pose a trip hazard.

**i** Comprehensive instructions for correct installation can be found on our website at [www.teufelaudio.com](http://www.teufelaudio.com).

Specially designed speaker stands can be ordered from our webshop.

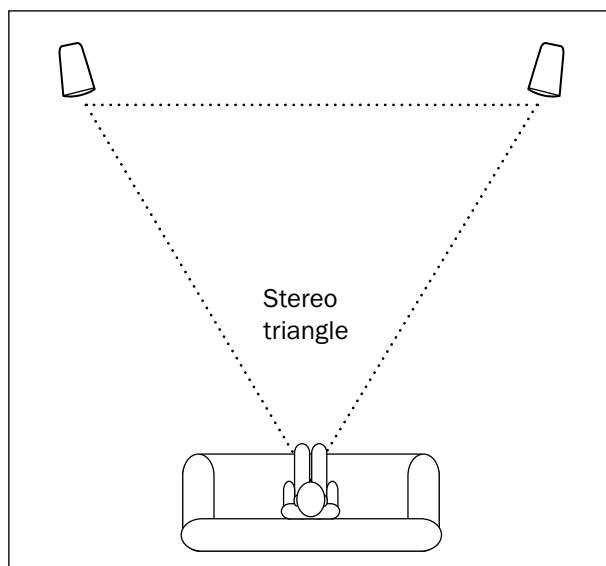
- Select a stable, level base and make sure the speaker stands are firmly positioned.
- Make sure the area is dry and dust free.
- Avoid placing the subwoofer close to sources of heat or in direct sunlight.
- Do not place any heavy objects on the speakers or cables.

To optimize the full sound potential,

- If possible, position the speakers in the room so that they are free-standing. The ideal distance to the back wall should be at least 0.5 m.
- set up the speakers so that the listening position and the two speakers form an equilateral or, at the least, an isosceles triangle.
- make sure that the distance from the speakers to the listener is at least 2 m.

These notes are a recommendation. Depending on the room layout and listening situation, it may be worth trying out various setups.

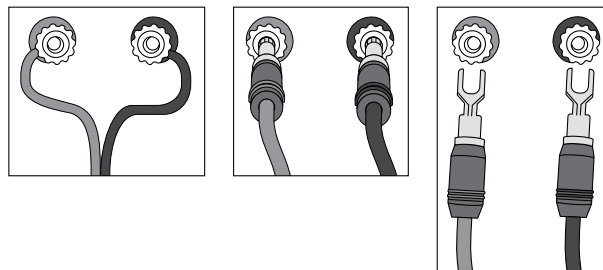
The speaker performance will of course benefit from the quality of the components connected and the accessories used.



# Connecting the Speakers

**i** The Definition 3S speakers are delivered without speaker cables due to different customer requirements. Suitable cables are available in our webshop ([www.teufelaudio.com](http://www.teufelaudio.com)) under the “Accessories” category.

- On the back of the speakers are the connection terminals, with 2 terminal clips. You can connect the speaker cables here directly or with banana plugs or spade terminals from our catalogue. The terminals are marked in red (+) and black(-).

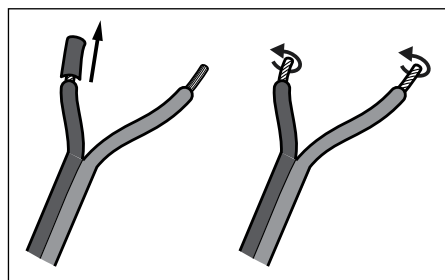


**i** **Make sure the polarity is correct!**

Connect the like-coloured terminals together, otherwise the sound quality will suffer. The speaker terminals of your amplifier should be similarly marked. The individual speaker cables are marked with different colours or shapes.

1. Turn off your amplifier/AV receiver.
2. Lay the speaker cables from your amplifier/AV receiver to each of the speakers.
3. When you use speaker cables with banana plugs or spade terminals from our catalogue, simply insert the banana plug into the terminal with the matching colour.  
Spade terminals are pushed under the connector terminals and then tightened.

4. If you use speaker wires without plugs, split the wire down to approx. 30 mm on both ends and remove approx. 10 mm of the insulation on each end. Twist the wire so that no strands are protruding.



5. Turn the connector terminal counterclockwise until loose. Run the stripped cable end into the now visible hole. Close the terminal by turning it clockwise. The cable has now been clamped in place.

6. Connect the other end of the speaker cables to your amplifier/AV receiver. You should be able to find corresponding notes in the operating instructions of your device.

7. Turn your amplifier/AV receiver back on.

## Care and Cleaning

---

### NOTE

**Using the wrong cleaning solution may damage the valuable surface.**

- If possible, only use plain water without any additives. In case of stubborn marks, a mild soap solution may be used.
- Under no circumstances should caustic cleaning products, rubbing alcohol, thinners, gasoline, etc. be used for cleaning. Such cleaning products could damage the delicate housing surface.

- Ideally, you should remove dust or small amounts of dirt with a dry, smooth leather cloth.
- Rub off stubborn dirt with a damp cloth. Make sure that no liquid penetrates the speakers.
- Then immediately wipe the surfaces dry with a soft cloth without applying pressure.

## Troubleshooting

---

The following tips should help you to solve any problems. Should you require more help, the FAQs on our website will certainly help you. If you need further assistance, please contact us via the hotline (see page 3). Please pay attention to the warranty details.

Problem	Possible cause	Solution
Playback is noisy.	Generally speaking, the speakers are very low noise. In the high range area, very high-resolution speaker systems can expose the poor quality of a signal source (e.g. from MP3 files).	Make sure that the source is emitting a clear signal.
The sound seems dull.	Speakers have been connected with incorrect polarity.	Check to make sure the cables of all speakers are correctly connected.

# Teufel

Please contact customer service with any questions, suggestions, or comments:

**Lautsprecher Teufel GmbH**  
BIKINI Berlin  
Budapester Strasse 44  
10787 Berlin (Germany)

Tel.: 00800-200 300 40 (toll-free)  
Fax: +49 (0)30 - 300 930 930  
[www.teufelaudio.com](http://www.teufelaudio.com)

All statements without guarantee.  
Technical changes, typos, and errors reserved.