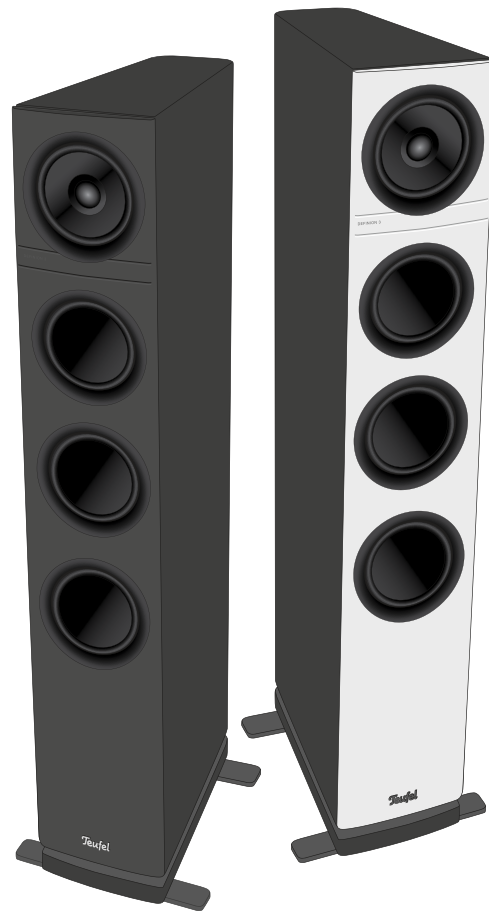


Technical description and instruction manual



Definion 3

HiFi column speakers

Teufel

General notes and information

Notice

The information in this document may change without prior notice and in no way constitutes any liability on the part of Lautsprecher Teufel GmbH.

No part of this instruction manual may be reproduced in any form or be broadcasted in any way electronically, mechanically, by photocopy or recording without the written permission of Lautsprecher Teufel GmbH.

© Lautsprecher Teufel GmbH

Version 1.0

November 2014

Original packaging

If you wish to exercise your eight-week right of return, we ask that you be absolutely sure to hold onto the packaging. We can only accept the return of the speakers WITH THE ORIGINAL PACKAGING.

Empty boxes are not available!

Complaints

In case of complaint we will need the following information to process your enquiry:

1. Invoice number

Can be found on the sales slip (enclosed with the product) or on the order confirmation received as a PDF document, e.g. 4322543

2. Serial number or batch number

Located on the back of the device, e.g. serial no.: KB20240129A-123.

Thank-you for your support!

Contact

Please contact our customer service with any questions, suggestions or criticism:

Lautsprecher Teufel GmbH

BIKINI Berlin

Budapester Strasse 44

10787 Berlin (Germany)

Phone 00800 - 200 300 40 (toll-free)

Fax +49 (0)30 / 300 930 930

E-mail: service@teufelaudio.com

www.teufelaudio.com

Proper use

The speakers are intended for connecting to an amplifier and serve to play back audio signals. Only use the speakers as described in these operating instructions. Any other use will be deemed as not in accordance with the instructions and may lead to damage of property or even persons.

The manufacturer accepts no liability for damage caused by use not in accordance with the instructions.

The speakers are intended for domestic use.



Before operating the speakers please read the safety notes and instruction manual carefully. Only in this way, can you ensure that all functions are used in a safe and reliable manner.

Store the instruction manual in a safe place and also be sure to pass it on to any subsequent owner.

Safety notes

Signal terms

You can find the following signal terms in these instructions:

WARNING

This signal term indicates a moderate risk, which, if not avoided, may result in death or severe injury.

CAUTION

This signal term indicates a low risk, which, if not avoided, may result in minor or moderate injury.

NOTICE

This signal term warns you of potential damage.

Safety notes

An unsuitable setup location may result in injury and damage.

- If the speakers are not securely mounted, do not use them in vehicles, in unstable locations, on wobbly tripods or furniture, on underdimensioned brackets etc. The speakers may tip or fall over and cause injury to persons or be damaged themselves.
- Place the speakers on the ground only.
- Place the speakers in such a way that they cannot be knocked over inadvertently and make sure that the cables do not pose a trip hazard.
- Do not place the speakers near sources of heat (e.g. heaters, ovens, other heat generating equipment such as amplifiers etc.).
- Do not use the speakers in environments where there is a risk of explosion.

An unstable base may cause the unit to tip and injure or even kill persons, children are particularly at risk. You can prevent a large number of accidents by taking the following precautions:

- Place the speakers on the ground only.
- When storing the product, also ensure that it stands safely and that it cannot be knocked down or over.

Children can become trapped in the packing film when playing and suffocate.

- Do not allow children to play with the device or the packing film. Danger of suffocation.

Extended listening at high volumes may lead to hearing loss.

To avoid damage to health, avoid extended listening at high volumes.

- When the volume is set high, always keep a certain distance from the device and never place your ear directly on the speaker.
- The maximum volume setting may produce very high sound pressure. This may have psychological consequences and also cause physical injury. Children and pets are particularly at risk. Set your signal source device volume control to a low setting before turning on the power.

Improper use may lead to damage or fire.

- Do not place open flames such as burning candles or similar on the device.
- Ensure sufficient ventilation.
- Do not place the device in direct sunlight.
- Only use the device in indoor areas.
- Do not operate the device in wet rooms and protect it from dripping and splash water. Make sure that no vases or other vessels filled with liquid are located on the device or nearby in order to prevent liquid from penetrating the housing.

Preparation

Unpacking

1. Carefully open the box.
2. Carefully lift the speaker out of the box without touching the diaphragms.
3. Remove all packaging parts.

Checking the product contents

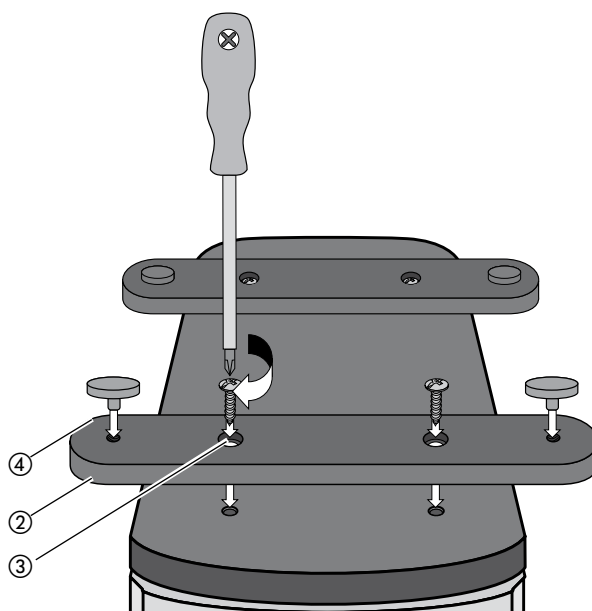
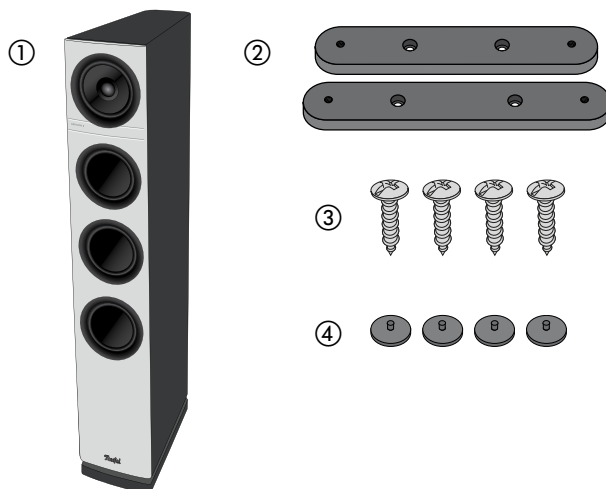
- Check that all items have been delivered and that nothing is damaged:

- ① 1x speaker Definition 3
- ② 2x metal rails
- ③ 4x screws
- ④ 4x rubber feet

- If delivery is damaged, do not use the speaker. Instead please contact our service centre (see page 2).

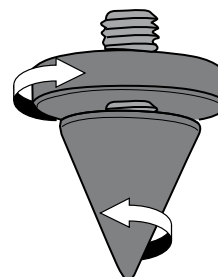
Mounting the rubber feet

1. Turn the speaker upside down and place it headfirst on the corresponding half-shell of the packaging to prevent the sensitive surface from being damaged.
2. Screw the two metal rails ② onto the underside of the speaker housing using the screws ③. The screw positions have already been predrilled.
3. Insert 2 rubber feet ④ into each threaded hole of the metal rails.
Once mounted, turn the speaker over.



Compensating irregularities

- You can compensate minor irregularities in the floor using height adjustable spikes (not included in the product contents). You will find suitable spikes in our webshop.



Setup

i Our website contains comprehensive notes for correct setup.

General requirements

⚠ CAUTION

- Place the speakers in such a way that they cannot be knocked over inadvertently and make sure that the cables do not pose a trip hazard.
- Select a stable, level base.
- Make sure that the environment is clean and free from dust.
- Select a location away from heat sources and direct sunlight.
- Do not place any heavy objects on the cables or the speakers.
- Make sure that the speakers are firmly positioned to prevent vibrations.

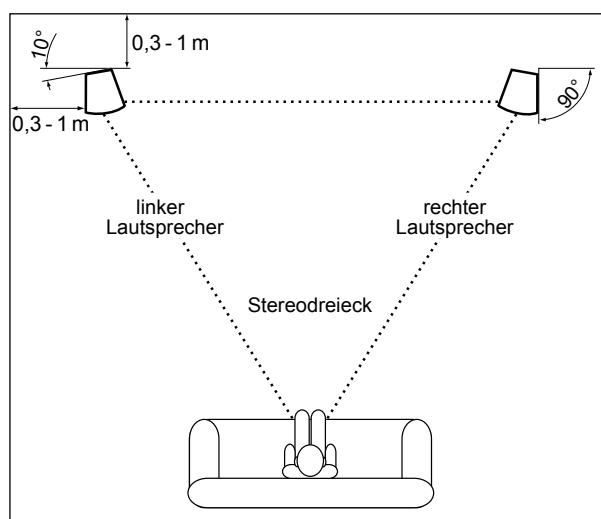
The correct arrangement

To exploit the full sound potential:

- If possible, position the speakers in the room so that they are standing free. The distance to the walls should amount to 0.3 to 1 meter depending on your needs and possibilities. If you have the choice, place the speakers up against the long side of the room wall to minimise the influence of reflections.
- Set up the speakers so that the listening position and the two speakers form an equilateral or at least isosceles triangle.
- When you set up the speakers, make sure that there are at least 2 m of distance between the speakers and the listener.
- Turn the two speakers slightly towards the listening position (approx. 10 degrees). The side panel of the speaker can be used as a guide: if it is located 90 degrees to the wall behind it, the angle is correct.

These notes are a recommendation. Depending on the room properties and listening situation, it may be worthwhile experimenting with the speaker arrangement.

The speaker performance will of course benefit from the quality level of the components connected and the accessories used.



Connecting

Connecting the cables

1. Turn off your amplifier/AV receiver.
2. Lay the speaker cables from your amplifier/AV receiver to each speaker.
The two connector terminals are located on the back side of the speaker.
The terminals are marked in red (+) and black (-).

NOTICE

Wrong polarity will result in loss of sound quality!

- Connect the like-coloured clamps of the amplifier and speaker with each other. One speaker cable strand has been marked.

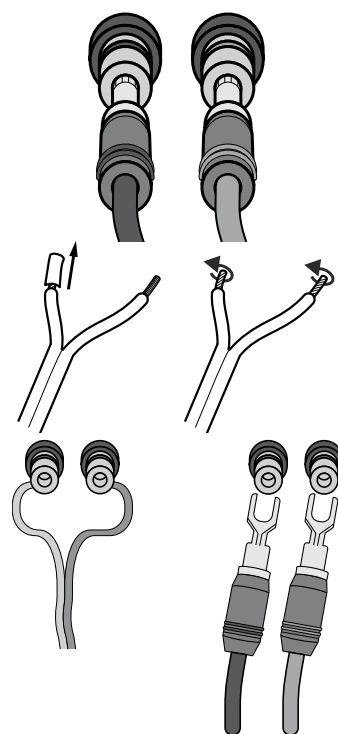
3. If you use a speaker cable with pin plugs from our product range, simply insert the pin plugs in the terminal connectors.

4. If you insert cables with loose ends, split the wire down to approx. 30 mm on both ends and remove approx. 10 mm of the insulation on each end. Twist the single wire so that no strands are protruding.

5. Turn the connector terminal counter-clockwise until loose. Run the stripped cable end into the now visible hole. Close the terminal by turning it counter-clockwise. The cable has now been clamped in place.

Cable lugs are clamped in place in the same manner. However, they are not inserted into the hole of the connector terminal.

6. Turn your amplifier/AV receiver back on.



CAUTION



Extended listening at high volumes may lead to hearing loss.

- To avoid damage to health, avoid extended listening at high volumes.
- When the volume is set high, always keep a certain distance from the device and never place your ear directly on the speaker.

- If a speaker is set to full volume, this may produce very high sound pressure. This may have psychological consequences and also cause physical injury. Children and pets are particularly at risk. Set your signal source device volume control to a low setting before turning on the power.

Cleaning & Maintenance

NOTICE

Using the wrong cleaning agents may damage the speakers.

- Do not use caustic cleaning products, white spirit, thinners, petrol or similar under any circumstances. Such cleaning agents may damage the surface of the housing.

- Ideally, you should remove dust or small amounts of dirt with a dry, smooth leather cloth.
- Rub off stubborn dirt with a damp cloth. Make sure that no liquid penetrates the speakers.
- Then immediately wipe the surfaces dry with a soft cloth without applying pressure.

Troubleshooting

The following advice should help you to solve problems. If this does not help, you will find useful information in the detailed FAQs on our website. Otherwise, please contact our hotline (see page 2). Take note of the warranty instructions.

Problem	Possible cause	Solution
Playback is noisy.	Basically, the speakers do not produce an inherent noise and can expose the poor quality of a signal source (e.g. from MP3 files).	Make sure that the source is emitting a clear signal.
The sound seems dull.	Speakers have been connected with incorrect polarity.	Check to make sure the cables of all speakers are correctly connected.

Protecting the environment

Disposing of the speakers



Used units must not be disposed of with household waste!

If the device is no longer operational, every consumer is required by law to dispose of old devices separately from household waste, e.g. at a collection point run by the communal authority/boroughs. This ensures that old devices are recycled

in a professional manner and also rules out negative consequences for the environment.

For this reason, electrical equipment is labelled with the displayed symbol.

For this reason, electrical equipment is labelled with the displayed symbol.

Technical data

Housing volume	38,6 litres
Housing dimensions W x H x D	20 x 118 x 43 cm
Weight	24.3 kg
Impedance	4 ohm

You can find further technical data on our website. Technical changes reserved!

Teufel

Please contact our customer service with any questions, suggestions or criticism:

Lautsprecher Teufel GmbH
BIKINI Berlin
Budapester Strasse 44
10787 Berlin (Germany)

Phone: 00800 - 200 300 40
(toll-free)
Fax: +49 (0)30 - 300 930 930
www.teufelaudio.com

No responsibility is assumed for the correctness of this information. Technical changes, typographical errors and other errors reserved.