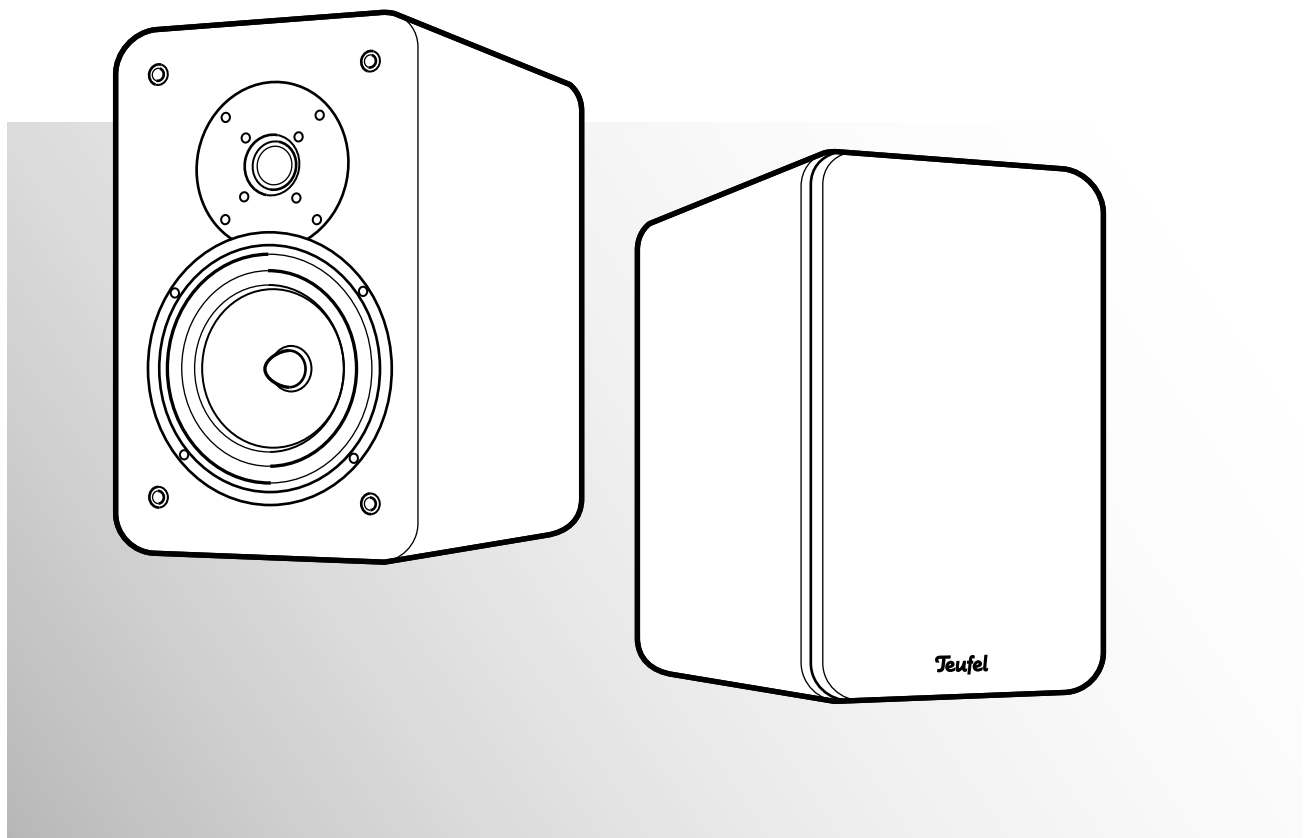


## Technical description and operating instructions



# Ultima 20

Stereo Shelf Speakers

**Teufel**

# Contents

---

<b>General notes and information .....</b>	<b>3</b>
Notice .....	3
Original packaging.....	3
Complaints.....	3
Contact .....	3
Proper use.....	3
<b>Safety notes .....</b>	<b>4</b>
<b>Unpacking and setup.....</b>	<b>5</b>
Check to be sure.....	5
Location tips.....	5
Removing the protective grids.....	5
<b>Connecting the cables.....</b>	<b>6</b>
<b>Care and cleaning .....</b>	<b>6</b>
<b>Protecting the environment .....</b>	<b>7</b>
Disposal of the unit.....	7
<b>Technical data .....</b>	<b>7</b>

# General notes and information

## Notice

The information in this document may be changed without prior notice and in no way constitutes any liability on the part of Lautsprecher Teufel GmbH.

No part of these instructions may be reproduced in any form or be broadcasted in any way electronically, mechanically, by photocopy or recording without the written permission of Lautsprecher Teufel GmbH.

© Lautsprecher Teufel GmbH  
Version 1.1  
August 2011

## Original packaging

If you wish to exercise your eight-week right of return, we ask that you be absolutely sure to hold onto the packaging. We can only accept the return of the speakers WITH THE ORIGINAL PACKAGING. Empty boxes are not available!

## Complaints

In case of complaint we will need the following information to process your enquiry:

### 1. Invoice number

Can be found on the sales slip (enclosed with the product) or on the order confirmation received as a PDF document, e.g. 4322543

### 2. Serial number and/or batch number

Found on the back of the device, e.g. serial number:  
UL 04007480121A

Many thanks for your support!

## Contact

For questions, suggestions or criticism please contact our customer service department:

Lautsprecher Teufel GmbH  
Gewerbehof Buelowbogen · Buelowstrasse 66  
10783 Berlin (Germany)

**Tel.: 00800 - 200 300 400 (free of charge)**

**Fax: +49 (0) 30 - 300 930 930**

**[www.teufelaudio.com](http://www.teufelaudio.com)**

## Proper use

Only use the speakers as described in these instructions. Any other use will be deemed as not in accordance with the instructions and may lead to damage to property or even persons. The manufacturer accepts no liability for damage caused by use not in accordance with the instructions.

The speakers are intended for private use.



Before using the speakers for the first time please first read the safety notes and operating instructions carefully. This is the only way to use all functions safely and reliably.

Keep the operating instructions safe and pass them on to anyone who may own the unit after you.

## Safety notes

### Caution icons

You will find the following caution icons used in these instructions:

---

**Danger High risk!**

Failure to observe the warning may result in severe personal injury or death.

---

**Attention Moderate risk!**

Failure to observe the warning may result in property damage.

**Minor risk!**

Points which should be observed when handling the unit.

---

### Safety notes

---

**Danger Danger to children!**

Children can become trapped in the packing film when playing and suffocate.

- Do not allow children to play with the unit or the packing film. Danger of suffocation.
  - Ensure that children do not remove small parts from the unit or take them off of the unit (e.g. control knobs or plug adapters). They could swallow the parts and choke. Never allow children to use electrical devices without supervision.
- 

---

**Danger Danger to hearing!**

Loud noise may lead to hearing loss. Particularly if a subwoofer on full volume in »Standby/Auto On« mode is switched on by a bass beat, sudden very high sound pressure may result. This may cause physical and psychological damage. Children and pets are at particular risk.

- Set your signal source unit volume control to a low setting.
  - When the volume is set high, always keep a certain distance from the unit and never place your ear directly on the speaker.
  - To avoid damage to health, avoid extended listening at high volume.
- 

---

**Danger Danger of injury/damage!**

Selecting an incorrect location may result in damages.

- Never use the unit unmounted in vehicles, in unstable locations, on wobbly tripods or furniture, on underdimensioned brackets etc. The speakers could tip or fall down and cause injury to persons or be damaged.
  - Arrange the speakers so that they cannot be knocked over accidentally and make sure that the cables do not pose a trip hazard.
  - Ensure that any wall mounting is performed in a professional manner.
  - Only use suitable wall brackets for mounting. Check the carrying capacity of the walls.
  - Do not use the speakers if the housing or the connector cables are defective or if they exhibit any other visible damages.
  - Only use the speakers indoors.
  - Do not use the speakers in moist areas and protect it from water drops and splashes. Ensure that no vases or other vessels filled with liquid are placed on or near the speakers to prevent the housing from being penetrated by liquid.
  - Do not place the speakers near sources of heat (e.g. heaters, ovens, other heat generating equipment such as amplifiers etc.).
-

## Unpacking and setup

Open the boxes carefully, take out the half shell EPE packaging foam and carefully lift the speaker out of the box without touching the diaphragms.



### Connector cable

Due to differing customer requirements, the Ultima 20 series is shipped without connector cables. You can find suitable cables in our webshop ([www.teufelaudio.com](http://www.teufelaudio.com)) in the "Accessories" area.

### Check to be sure

- Check that all items have been delivered and that nothing is damaged.
- If the delivery is incomplete or you find damage sustained in transit, do not operate the speakers, instead contact our service department (see page 3).

### Location tips

- Select a stable, level base.
- Make sure that the environment is clean and free from dust.
- Avoid placing the unit close to sources of heat or in direct sunlight.
- Arrange the connector cables so that they do not pose a trip hazard.
- Do not place any heavy objects on the cables or the speakers.

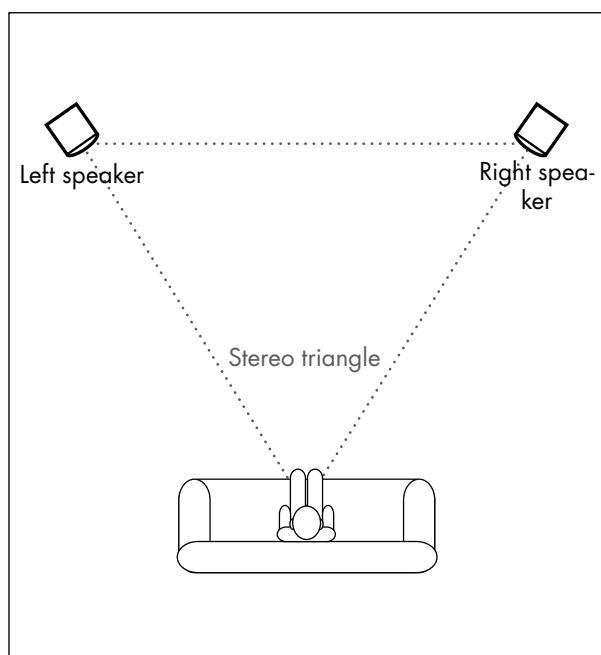
The following information concerns an "ideal listening room", where the listener sits in a central position at an adequate distance in front of the speakers (see the adjacent graphic) and there are no objects between the listener and speakers (tables or the like). Unfortunately, available space, furnishing or other circumstances may not always allow for an optimum arrangement.

Modern amplifiers offer a variety of possibilities for electronically compensating losses associated with the arrangement. The following generally applies: You can always experiment on what works best in your listening room in terms of sound and appearance based on our recommendations. Let your ears (and eyes) be the judge!

The speakers should be situated to the left and right of the listener and if possible, form an equilateral triangle with the listener – the so-called stereo triangle (distance from the listener = distance between the speakers). The speakers should project sound straight into the room or be arranged slightly towards the listener. Shelves and sideboards, for example, are ideal locations for the speakers.

Wall mounting is also possible. Corresponding AC 6500 SM brackets are available in our webshop for this. They are mounted using the packing screw M 6 located on the speaker base.

It also serves to secure the corresponding speaker stand AC 4002 SP. You can also purchase it in our Teufel webshop.



### Removing the protective grids

You can remove the protective grids from the speakers by carefully reaching behind the protective grid and slowly pulling it off to the front.

When reattaching the grids, ensure that the installation pins slide into the corresponding holes on the speaker.

## Connecting the cables

### **Danger** Danger of injury/damage!



Arrange the cables so that they do not pose a trip hazard.

1. Turn off your amplifier.
2. Lay the speaker cables from your amplifier to each of the speakers. This cable should be high-quality double-wires for speakers with marked strands. The cross-section should amount to at least 1.5 mm<sup>2</sup>.

A connector terminal with two terminal clips is located on the back of each speaker. You can connect the speaker cables using pin plugs or directly here. We only describe the direct connection in these instructions.

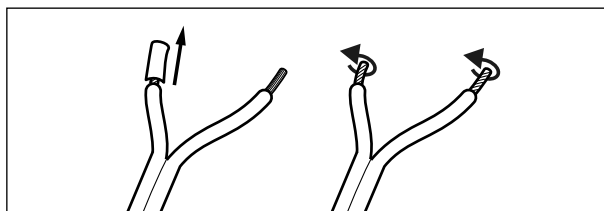
The terminals are each marked in red (+) and black (-).



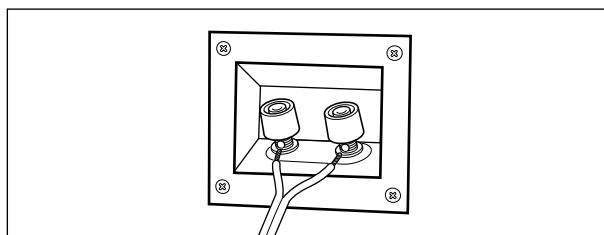
### **Make sure the polarity is correct!**

Connect the like coloured terminals of your speakers and amplifier with one another.

Otherwise the sound quality will suffer. The individual single-wires of the speaker cables are marked with different colours or shapes to facilitate this.



3. Split the single-wire down to approx. 30 mm on both ends and strip off approx. 10 mm of insulation. Twist the stripped single-wire ends together so that no strand is protruding.



4. Turn the connector terminals counterclockwise until loose. Run the stripped single-wire ends into the holes that are now visible. Close the terminals by turning them clockwise. The cable has now been clamped in place.
5. Connect the speaker cables to your amplifier. The operating instructions of the appliance should contain notes on this.

## Care and cleaning

The veneered surfaces of our speakers have a protective surface coat, which eliminates the need for wood polish.

- You can best remove dust or small amounts of dirt with a dry, smooth leather cloth.
- Rub off stubborn dirt with a damp cloth. Make sure that no liquid penetrates the speakers.
- Then immediately wipe the surfaces dry using a soft cloth and without applying pressure.

### **Attention** Risk of damage!



Using the wrong cleaning materials may damage the delicate surface of the case.

- If possible use only plain, lukewarm water with no cleaning products. In case of stubborn marks, a mild soap solution may be used.
- In no circumstances should caustic cleaning products, white spirit, thinners, petrol or similar be used for cleaning.

## Protecting the environment

---

### Disposing of the unit



**Used units must not be disposed of with household waste.**

If the unit is no longer operational, every consumer is required by law to dispose of used devices separate from household waste, e.g. at a collection point run by the communal author-

ity borough. In this way, used devices can be recycled and waste materials disposed of in an environmentally friendly manner.

For this reason, electrical equipment is labelled with the displayed symbol.

## Technical data

---

Impedance	4 Ohms
Power handling	50 Watts (longterm), 80 Watts (shortterm)
X-Over frequency	3200 Hz
Low range speakers	165 mm
High range speakers	25.4 mm
Volume	10.5 litres
Dimensions (W x D x H)	215 mm x 230 mm x 335 mm
Net weight	6.5 kg



This product conforms with Council of the European Union guidelines 2004/108/EC and 2006/95/EC

Technical changes reserved!

# Teufel

For questions, suggestions or other issues please contact our customer service department:

**Lautsprecher Teufel GmbH**  
Gewerbehof Buelowbogen - Ausgang D1  
10783 Berlin (Germany), Buelowstr. 66

Tel.: 00800 200 300 400 (toll-free)  
Fax: +49 (0)30-300 930 930  
[www.teufelaudio.com](http://www.teufelaudio.com)

No liability is accepted for the accuracy of this information. Technical changes, typographical errors and other errors reserved.

Instruction No. 91548 GB 20110811